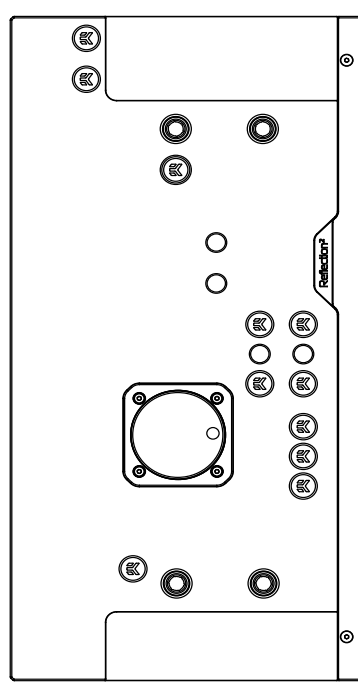


# EK-Quantum Reflection<sup>2</sup> PC-011D EVO XL D5 PWM D-RGB

DISTRIBUTION PLATE



Please note the installation of the product is intended to be undertaken by an adequately trained and experienced person. You are installing the product at your own risk. If you are not properly trained or experienced or feel unsure about the installation procedure, please refrain from installing the product yourself and contact our tech support for assistance. We disclaim our liability for any damages to the product as well as incidental, consequential, or indirect damages incurred due to improper or inappropriate installation.

Before you start using this product please follow these basic guidelines:

**Please carefully read the manual before beginning with the installation process!**

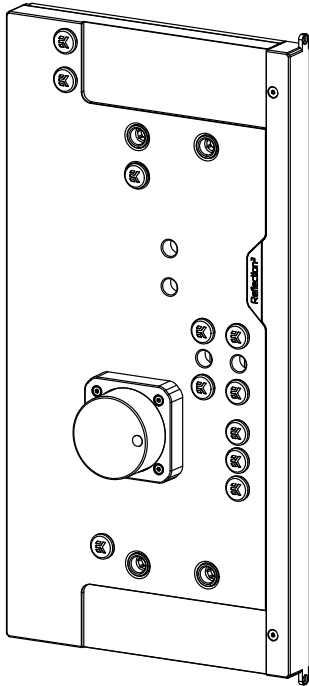
**The EK Fittings require only a small amount of force to screw them firmly in place since the liquid seal is ensured by the rubber O-ring gaskets.**

**The use of corrosion-inhibiting coolants is always recommended for any liquid cooling system. EKWB recommends any of the EK Cryofuel for worry-free usage.**

## TABLE OF CONTENT

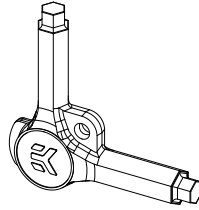
<b>BOX CONTENTS</b>	<b>4</b>
<b>DISTRIBUTION PLATE DIMENSIONS</b>	<b>5</b>
<b>TECHNICAL SPECIFICATIONS AND PRODUCT PARTS</b>	<b>6</b>
<b>PREPARING THE 011D EVO XL CHASSIS</b>	<b>7</b>
<b>INSTALLING THE DISTRIBUTION PLATE</b>	<b>8</b>
<b>RECOMMENDED DISTRIBUTION PLATE CONFIGURATIONS</b>	<b>10</b>
<b>ATTACHING THE PUSH-IN ADAPTERS (OPTIONAL)</b>	<b>12</b>
<b>FLOW DIAGRAM</b>	<b>13</b>
<b>CONNECTING THE D-RGB LED STRIP</b>	<b>14</b>
<b>CONNECTING THE PUMP</b>	<b>14</b>
<b>TESTING THE LOOP</b>	<b>15</b>
<b>SUPPORT AND SERVICE</b>	<b>16</b>
<b>SOCIAL MEDIA</b>	<b>16</b>

## BOX CONTENTS



EK-Quantum Reflection<sup>2</sup> PC-O11D  
EVO XL D5 PWM D-RGB

### Mounting Mechanism EAN: 107076



EK-Loop Multi Allen Key (1 pc)

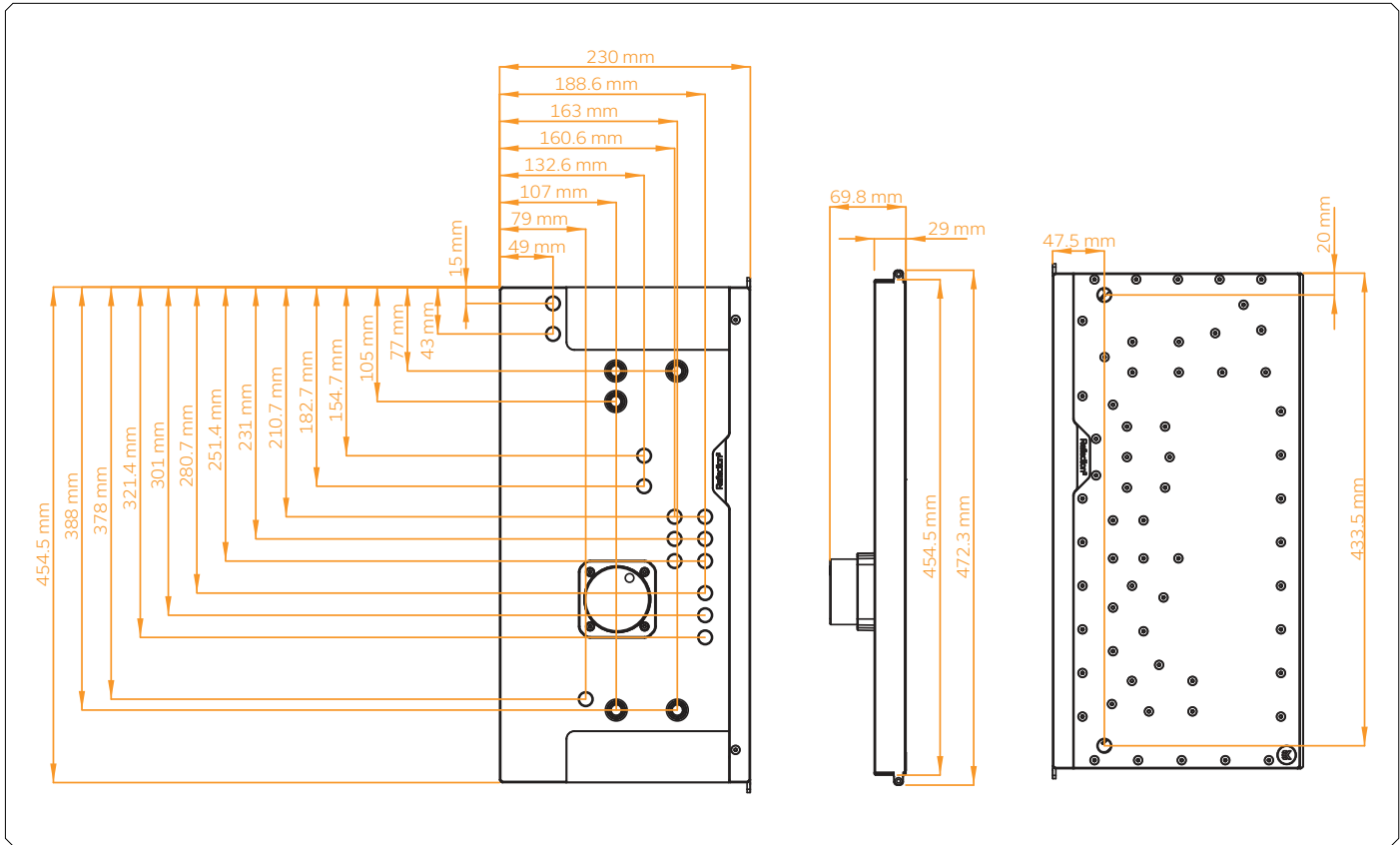


Allen Key 2.5 mm (1 pc)

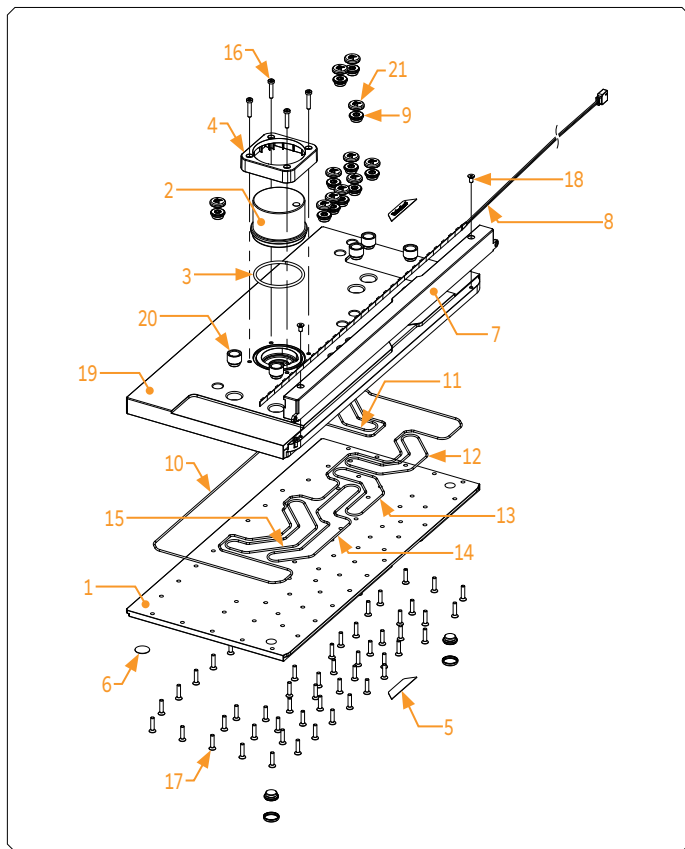


Allen Key 2 mm (1 pc)

# DISTRIBUTION PLATE DIMENSIONS



## TECHNICAL SPECIFICATIONS AND PRODUCT PARTS

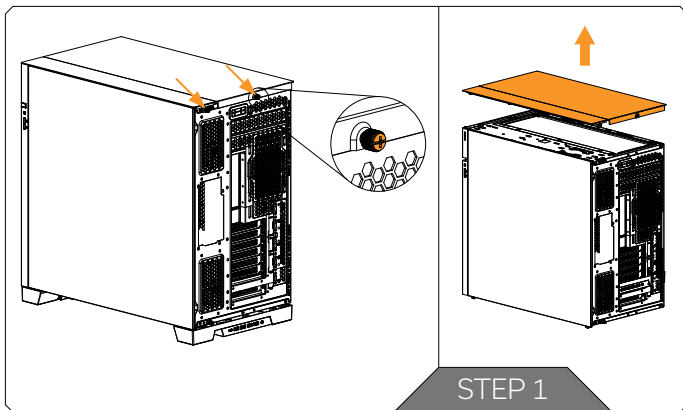


### Technical Specification:

- Dimensions with the attached pump (W x D x H): 230 x 75 x 472mm
- D-RGB LED count: 21
- D-RGB cable length: 500 mm
- D-RGB connector standard 3-pin (+5V, Data, Blocked, Ground)

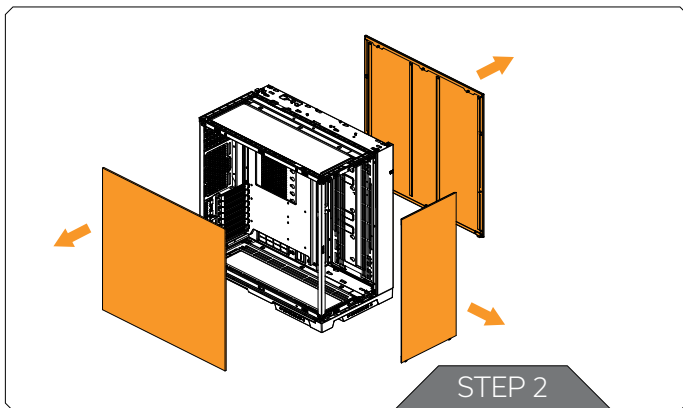
Position	EAN	Description	Quantity
1	106947	Top plate (Plexi)	1
2	3831109837597	EK-D5 Pump	1
3	5154	OR 52 x 3 mm	1
4	105913	Pump holder	1
5	104599	Mylar sticker	2
6	100663	EK - Badge	1
7	106950	Led Cover (Black e.)	1
8	100815	LEDD-RGB strip	1
9	102639	EK Plug G1/4	13
10	107067	OR - Reflection² EVO XL 1-6	1
11	107068	OR - Reflection² EVO XL 2-5	1
12	107069	OR - Reflection² EVO XL 3-5	1
13	107070	OR - Reflection² EVO XL 4-5	1
14	107071	OR - Reflection² EVO XL 5-6	1
15	107072	OR - Reflection² EVO XL 6-6	1
16	8311	Screw M4 x 20 DIN7984	4
17	9039	Screw M4 x 18 DIN7991	61
18	9044	Screw M4 x 8 DIN7991	2
19	106946	Bottom plate (Plexi)	1
20	3831109895313	EK-Quantum Torque Push-In Adapter	5
21	3831109834282	Plug Cover	13

## PREPARING THE 011D EVO XL CHASSIS



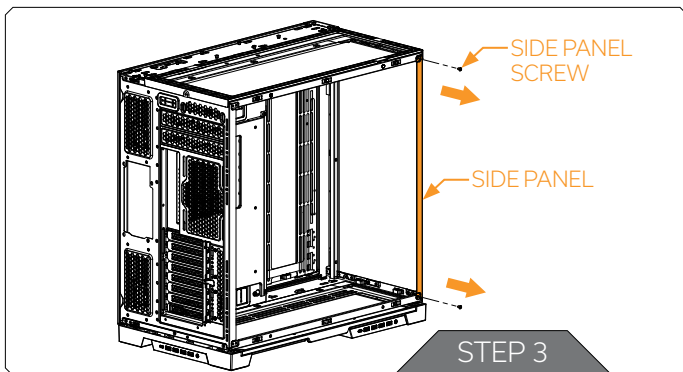
### STEP 1

Unscrew the factory-provided screws and remove the top panel from the case.



### STEP 2

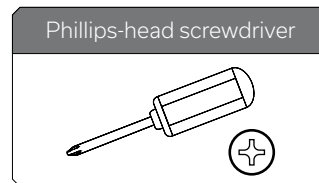
Remove both side panels and the front panel from the case.



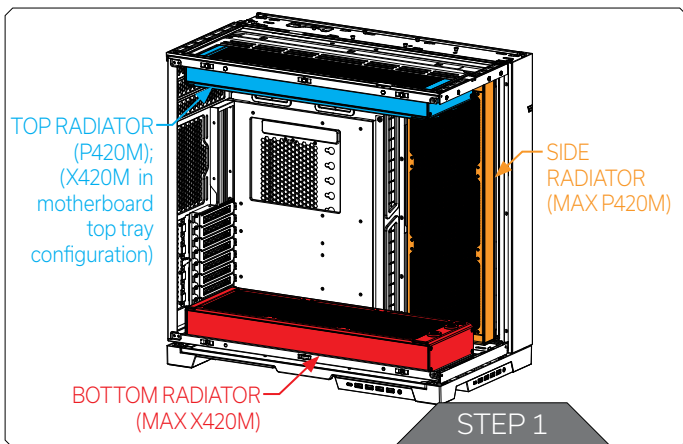
### STEP 3

Using the Phillips Head Screwdriver, unscrew the factory-provided side panel screws and remove the side panel. **Save the screws for later steps!**

For this step you will need:



## INSTALLING THE DISTRIBUTION PLATE

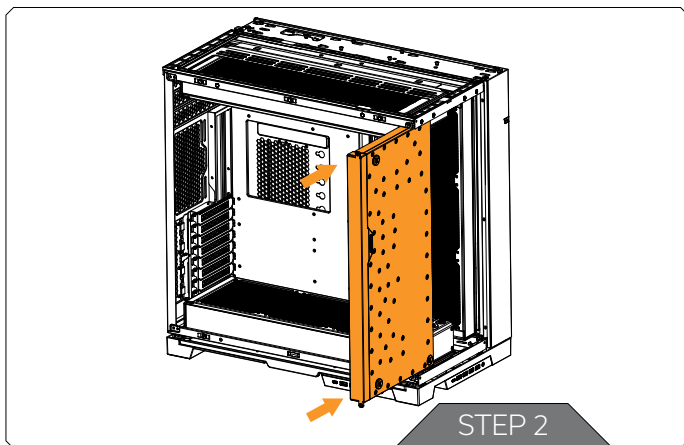


### STEP 1

**Important!** Before placing the distribution plate, you must install the radiators in the following order:

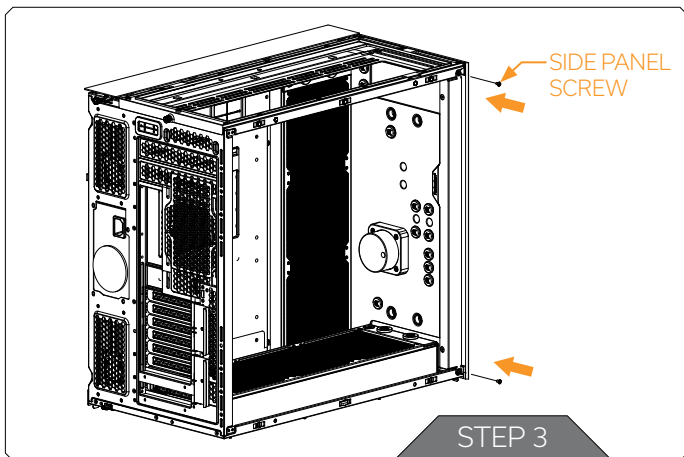
- First:** Side radiator
- Second:** Bottom radiator
- Third:** Top radiator





## STEP 2

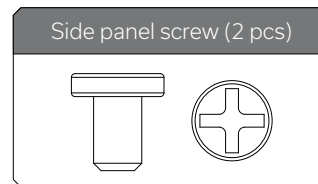
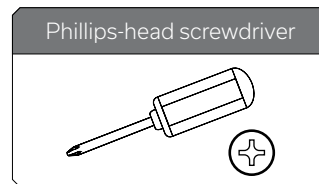
Position the distribution plate into the PC Case. Make sure to align the mounting holes. Be careful not to scratch the acrylic parts!



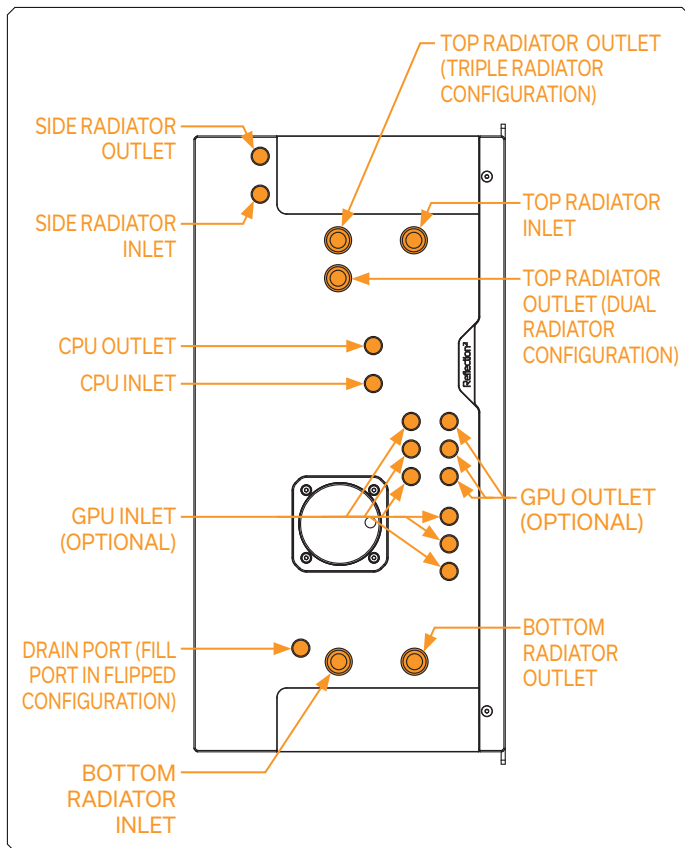
## STEP 3

Secure the distribution plate using the saved Side panel screws. The screws shouldn't be over-tightened to avoid cracking the acrylic.

For this step you will need:



## RECOMMENDED DISTRIBUTION PLATE CONFIGURATIONS



To complete your loop, all ports must be used as marked in the image.

All remaining unused ports must be closed with supplied plugs, using the EK-Loop Multi Allen Key.



If one of the prescribed components will not be installed (ie. bottom radiator or GPU block) then one INLET and one OUTLET port must still be joined together in order for this distribution plate to function!



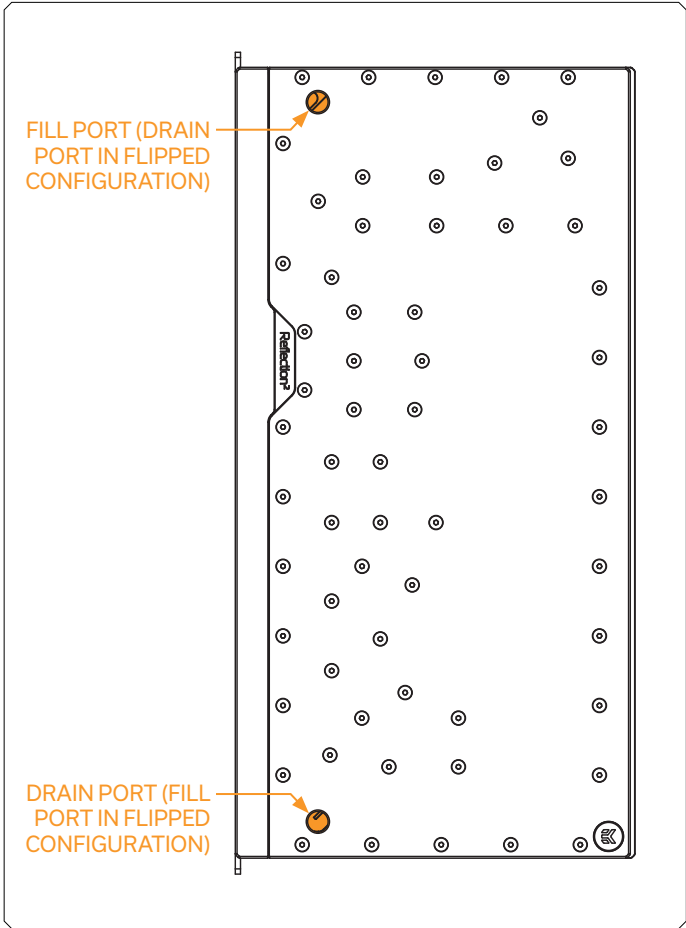
Note that the side radiator is completely optional and a loop without the side radiator can be completed without joining the two side radiator ports.



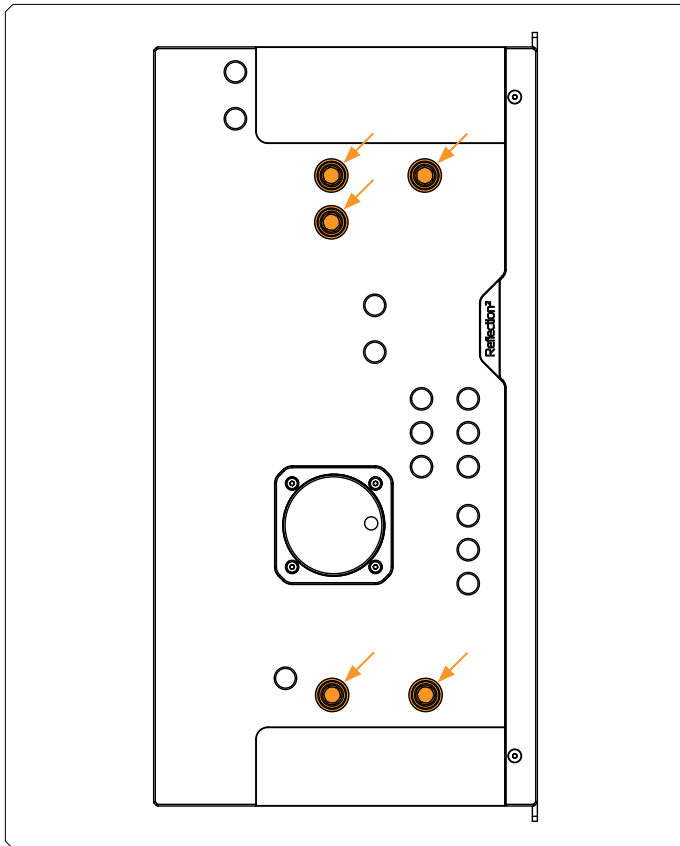
Only one INLET and one OUTLET port for the GPU connection can be used, while all other INLET and OUTLET GPU ports must be closed with G1/4 plugs (enclosed in the package).



The distribution plate is designed to function in both regular and inverted case configurations. Inverting the case does not change the port configuration.



## ATTACHING THE PUSH-IN ADAPTERS (OPTIONAL)



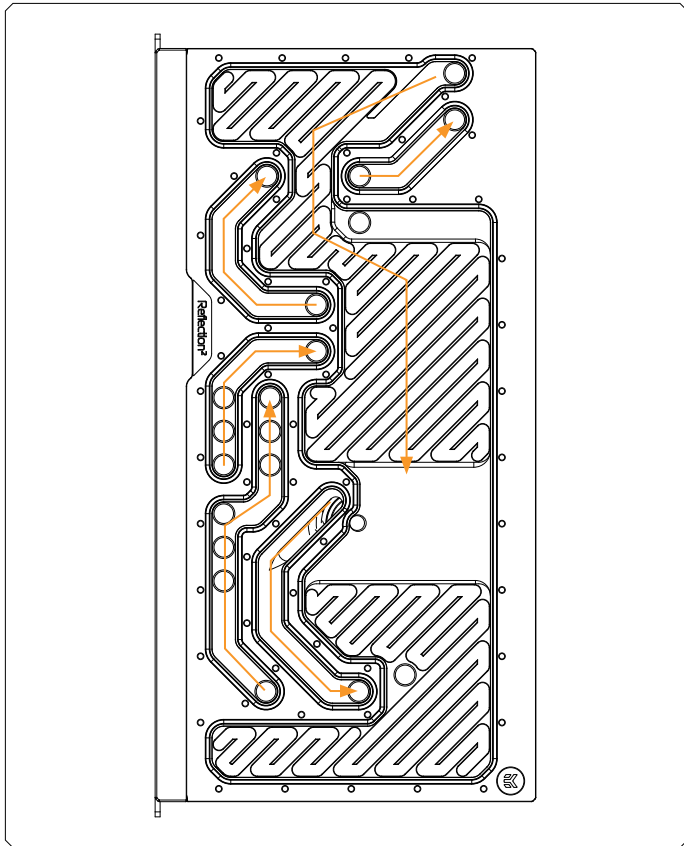
The push-in adapters can be attached to the marked places in the diagram.

For easier push-in adapters' installation, EK recommends lubricating the O-rings with a few drops of coolant or water.

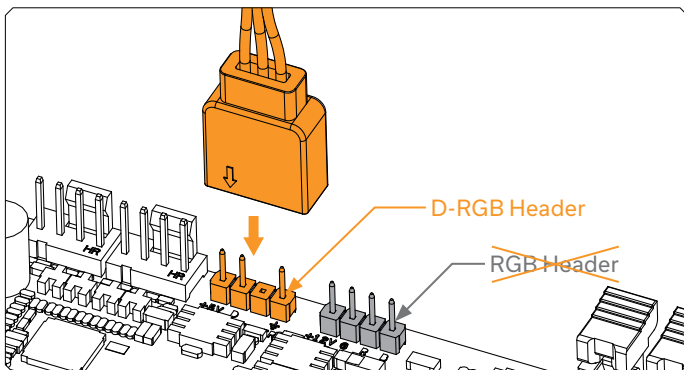


Important! Only the M7 Push-in Adapters are compatible with this distribution plate!

# FLOW DIAGRAM

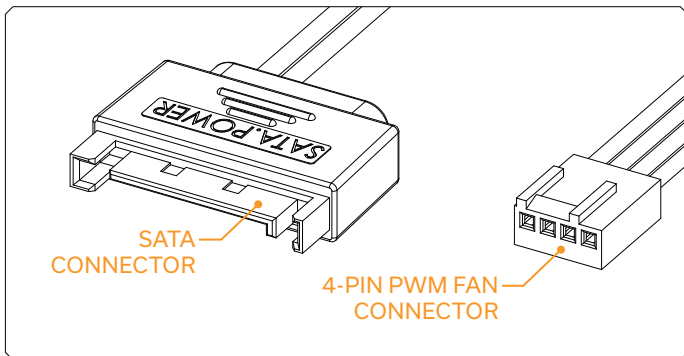


## CONNECTING THE D-RGB LED STRIP



Plug the 3-pin connector of the distribution plate D-RGB LED light to the D-RGB HEADER on the motherboard. The LED will work if the pin layout on the header is as follows: **+5V, Digital, Empty, Ground.**

## CONNECTING THE PUMP



The EK-D5 PWM pump has two connectors.

- 1. SATA Connector:** It must be connected directly to your PSU at all times as it is used to power the pump.
- 2. 4-pin PWM fan:** It can be connected to your motherboard's CPU\_ Fan or designated water pump header. It can also be connected to a controller. This cable is used to control and report the rotational speed of the pump. If it's not connected, the pump will run at maximum speed (100% PWM).

## TESTING THE LOOP

To make sure the installation of EK components was successful, we recommend you perform a leak test for 24 hours.

When your loop is complete and filled with coolant, connect the pump to a PSU outside of your system. Do not connect power to any of the other components. Turn on the PSU and let the pump run continuously. It is normal for the coolant level to drop during this process as air collects in the distribution plate.

Inspect all parts of the loop, and in the eventuality that coolant leaks, fix the issue and repeat the testing process. Ensure that all hardware is dry before the system is powered on in order to prevent any damage.

## SUPPORT AND SERVICE

In case you need assistance or wish to order spare parts or a new mounting mechanism, please contact:

**<https://www.ekwb.com/customer-support/>**

For spare parts orders, refer to the page with "TECHNICAL SPECIFICATIONS AND PRODUCT PARTS" where you can find the EAN number of each part you might need.


Include the EAN number with quantity in your request. Mounting Mechanism EAN can be found under "BOX CONTENTS"

Thermal pads are readily available in the EK shop


## SOCIAL MEDIA

 EKWaterBlocks

 @EKWaterBlocks

 ekwaterblocks

 EKWBofficial

 ekwaterblocks

