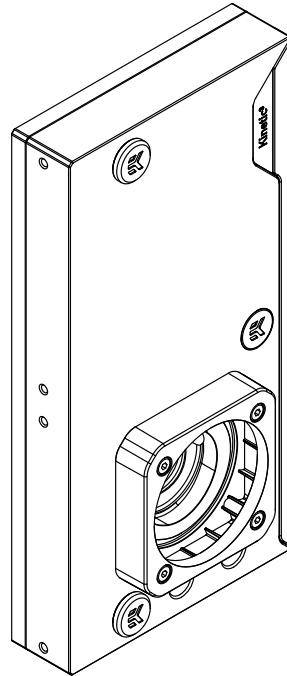


EK-Quantum Kinetic³ FLT Body PWM D-RGB



Before you start using this product please follow these basic guidelines:

Please carefully read the manual before beginning with the installation process!

The EK fittings require only a small amount of force to screw them firmly in place since the liquid seal is ensured by the rubber o-ring gaskets.

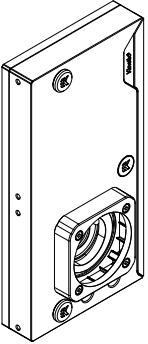
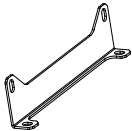
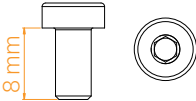

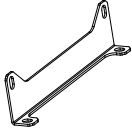
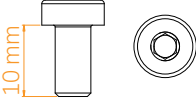
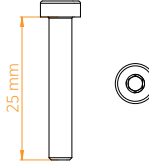
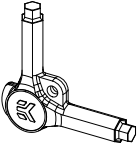

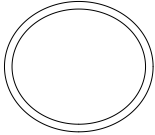
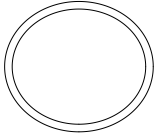
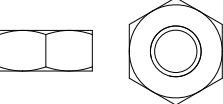
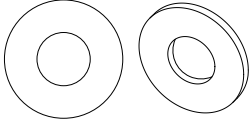
The use of corrosion inhibiting coolants is always recommended for any liquid cooling system. EKWB recommends any of the EK-Cryofuel for worry-free usage.

There are many ways to install your EK-Quantum Kinetic³ FLT Body as it utilizes a standard fan mounting hole pattern with 15 mm spacing, the same as all EK radiators. The mounting holes have standard M4 threads with maximum engagement of 10 mm. Use of longer screws or screws with incorrect threads such as those intended for fans or radiators may damage your product!

TABLE OF CONTENT

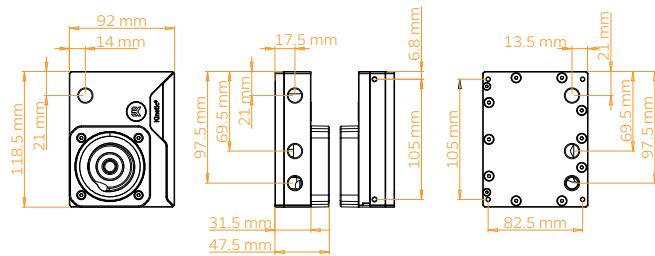
BOX CONTENTS	4
RESERVOIR DIMENSIONS	5
TECHNICAL SPECIFICATIONS AND PRODUCT PARTS	7
92 VERSION	7
120 VERSION	8
140 VERSION	9
240 VERSION	10
280 VERSION	11
360 VERSION	12
D5 PUMP VERSION	14
ATTACHING THE D5 PUMP ON TO THE RESERVOIR	14
DDC PUMP VERSION	15
ATTACHING THE DDC PUMP ON TO THE RESERVOIR	15
VTX PUMP VERSION	16
ATTACHING THE VTX PUMP ON TO THE RESERVOIR	16
INSTALLING EK-QUANTUM KINETIC³ FLT DIRECTLY TO THE CHASSIS	17
INSTALLING EK-QUANTUM KINETIC³ FLT WITH SUPPLIED MOUNTS	18
ATTACHING THE FITTINGS	19
CONNECTING THE D-RGB LED STRIP	21
CONNECTING THE PUMP	21
TESTING THE LOOP	22
SUPPORT AND SERVICE	23
SOCIAL MEDIA	23

BOX CONTENTS

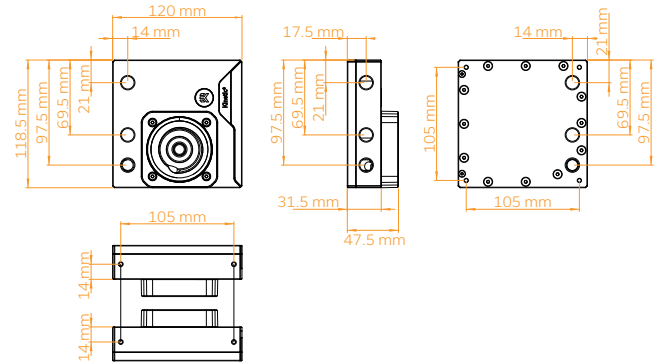
 <p>EK-Quantum Kinetic³ FLT 92/120/140/240/280/360 Body PWM D-RGB</p>	 <p>L-Side Mount Bracket 120 (92 Version: 1 pc), (120/240/360 Version: 2 pcs)</p>	 <p>M4 x 8 DIN7984 Screw (4 pcs) (92 Version 2 pcs)</p>	 <p>M4 x 4 7984DIN Screw (4pcs)</p>
	 <p>L-Side Mount Bracket 140 (140/280 Version: 2 pcs)</p>	 <p>M4 x 10 DIN7984 Screw (4 pcs) (92 Version 2 pcs)</p>	 <p>M4 x 25 DIN7984 Screw (4 pcs)</p>
 <p>EK-Loop Multi Allen Key (1 pc)</p>	 <p>Allen Key 2.5 mm (1 pc)</p>	 <p>DDC/VTX OR 46x2.5 (1 pc)</p>	 <p>D5 OR 52x3 (1 pc)</p>
 <p>M4 Nut (4 pcs) (92 Version 2 pcs)</p>	 <p>PVC Washer M4 (4 pcs) (92 Version 2 pcs)</p>	<p>Mounting Mechanism EAN: 107604 Mounting Mechanism FLT - Single 120: 92 Version 107606 Mounting Mechanism FLT - Double 120: 120/240/360 Version 107607 Mounting Mechanism FLT - Double 140: 140/280 Version</p>	

RESERVOIR DIMENSIONS

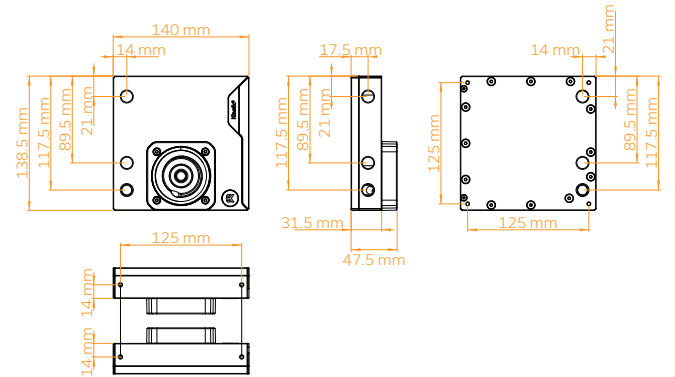
92 Version:



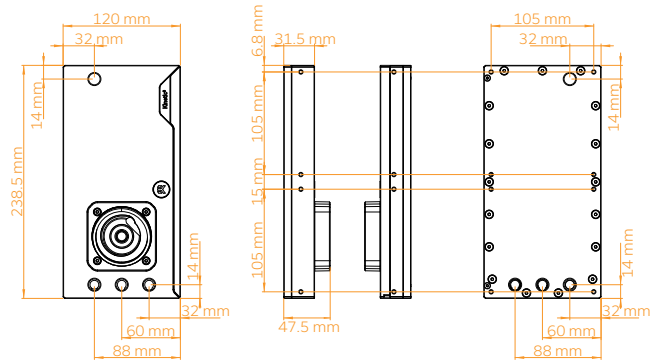
120 Version:



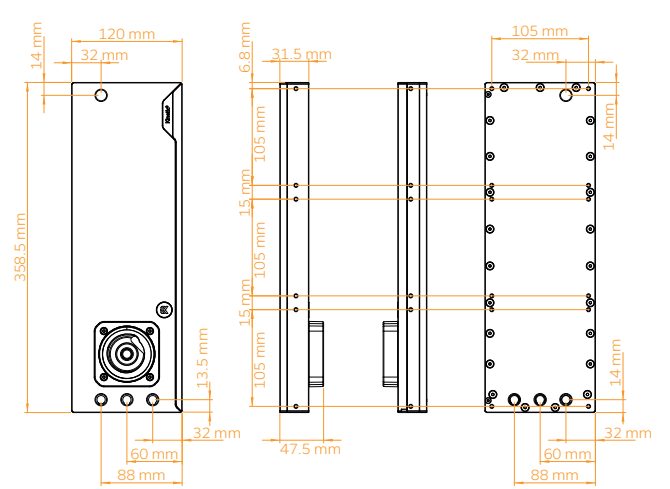
140 Version:



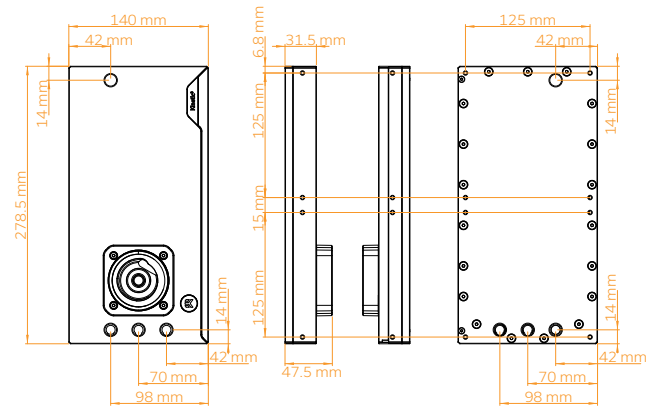
240 Version:



360 Version:



280 Version:



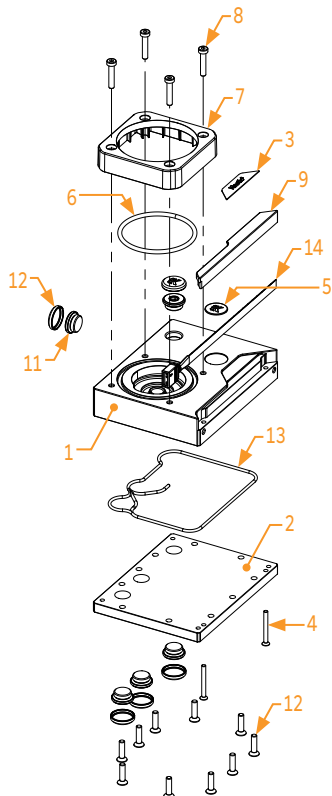
TECHNICAL SPECIFICATIONS AND PRODUCT PARTS

92 VERSION

Technical Specification:

- Dimensions: (L x H x W) – 92 x 118.5 x 47.5 mm
- D-RGB cable length: 500 mm
- D-RGB LED count: 14
- D-RGB connector standard 3-pin (+5V, Data, Blocked, Ground)

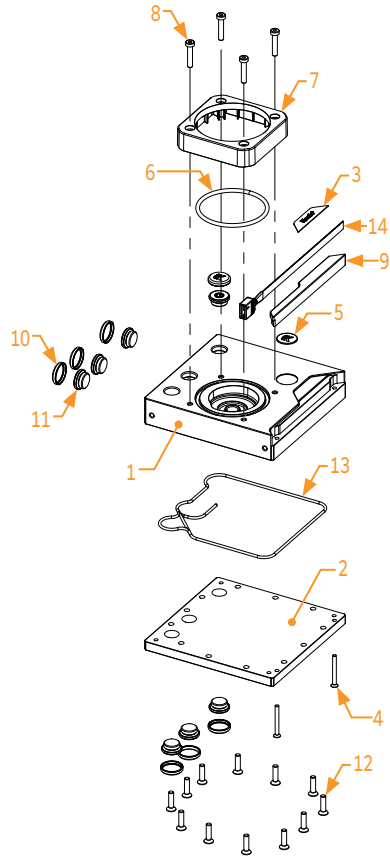
Position	EAN	Description	Quantity
1	107327	TOP Plexi - Block FLT 92	1
2	107333	TOP Plexi - Lid FLT 92	1
3	107339	Mylar Label	1
4	9040	Screw M3x28 DIN7991	2
5	100663	EK Badge	1
6	5154	OR 52 x 3	1
7	105913	Pump holder	1
8	8311	Screw M4 x 20 DIN7984	4
9	107313	Pump holder	1
10	3831109834282	Plug Cover	5
11	102639	EK-Plug G1/4	5
12	8312	Screw M4 x 16 DIN7991	10
13	107341	OR - FLT 92	1
14	103155	LED Strip	1



120 VERSION

Technical Specification:

- Dimensions: (L x H x W) – 120 x 118.5 x 47.5 mm
- D-RGB cable length: 500 mm
- D-RGB LED count: 14
- D-RGB connector standard 3-pin (+5V, Data, Blocked, Ground)

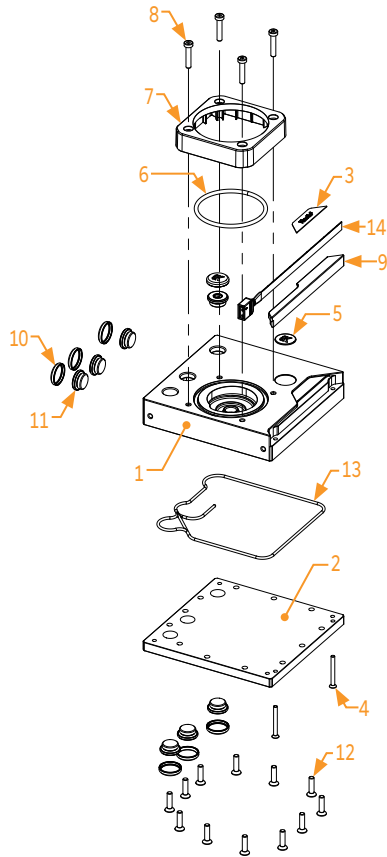


Position	EAN	Description	Quantity
1	107328	TOP Plexi - Block FLT 120	1
2	107334	TOP Plexi - Lid FLT 120	1
3	107339	Mylar Label	1
4	9040	Screw M3 x 28 DIN7991	2
5	100663	EK Badge	1
6	5154	OR 52 x 3	1
7	105913	Pump holder	1
8	8311	Screw M4 x 20 DIN7984	4
9	107313	Pump holder	1
10	3831109834282	Plug Cover	7
11	102639	EK-Plug G1/4	7
12	8312	Screw M4 x 16 DIN7991	12
13	107342	OR - FLT 120	1
14	103155	LED Strip	1

140 VERSION

Technical Specification:

- Dimensions: (L x H x W) – 140 x 238.5 x 47.5 mm
- D-RGB cable length: 500 mm
- D-RGB LED count: 14
- D-RGB connector standard 3-pin (+5V, Data, Blocked, Ground)

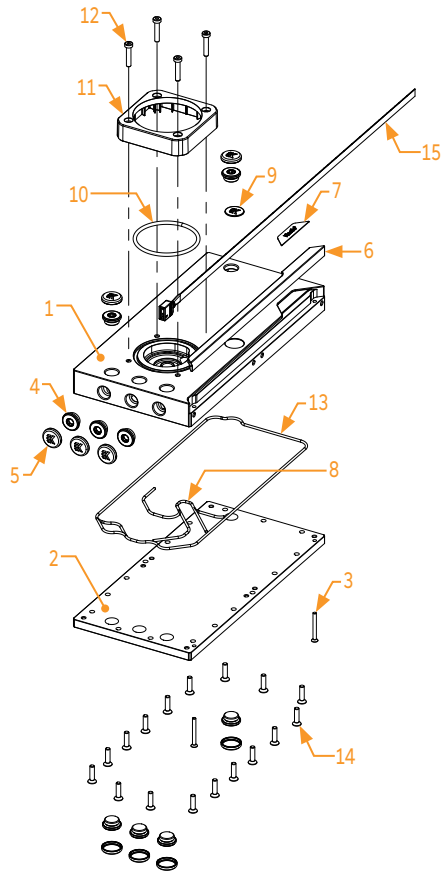


Position	EAN	Description	Quantity
1	107329	TOP Plexi - Block FLT 140	1
2	107335	TOP Plexi - Lid FLT 140	1
3	107339	Mylar Label	1
4	9040	Screw M3 x 28 DIN7991	2
5	100663	EK Badge	1
6	5154	OR 52 x 3	1
7	105913	Pump holder	1
8	8311	Screw M4 x 20 DIN7984	4
9	107316	Pump holder	1
10	3831109834282	Plug Cover	7
11	102639	EK-Plug G1/4	7
12	8312	Screw M4 x 16 DIN7991	12
13	107343	OR - FLT 140	1
14	103155	LED Strip	1

240 VERSION

Technical Specification:

- Dimensions: (L x H x W) – 120 x 238.5 x 47.5 mm
- D-RGB cable length: 500 mm
- D-RGB LED count: 14
- D-RGB connector standard 3-pin (+5V, Data, Blocked, Ground)



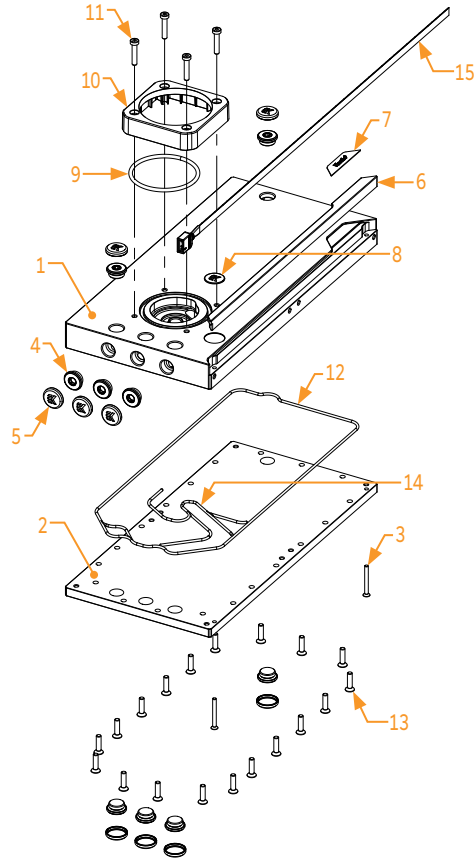
Position	EAN	Description	Quantity
1	107330	TOP Plexi - Block FLT 240	1
2	107336	TOP Plexi - Lid FLT 240	1
3	9040	Screw M3 x 28 DIN7991	2
4	102639	EK-Plug G1/4	9
5	3831109834282	Plug Cover	9
6	107320	LED Cover	1
7	107339	Mylar Label	1
8	107347	OR - FLT 120	1
9	100663	EK Badge	1
10	5154	OR 52 x 3	1
11	105913	Pump holder	1
12	8311	Screw M4 x 20 DIN7984	4
13	107344	OR - Kinetic ³ FLT 240	1
14	8312	Screw M4 x 16 DIN7991	17
15	102711	LED Strip	1

280 VERSION

Technical Specification:

- Dimensions: (L x H x W) – 120 x 278.5 x 47.5 mm
- D-RGB cable length: 500 mm
- D-RGB LED count: 14
- D-RGB connector standard 3-pin (+5V, Data, Blocked, Ground)

Position	EAN	Description	Quantity
1	107331	TOP Plexi - Block FLT 280	1
2	107337	TOP Plexi - Lid FLT 280	1
3	9040	Screw M3 x 28 DIN7991	2
4	102639	EK-Plug G1/4	9
5	3831109834282	Plug Cover	9
6	107323	LED Cover	1
7	107339	Mylar Label	1
8	100663	EK Badge	1
9	5154	OR 52 x 3	1
10	105913	Pump holder	1
11	8311	Screw M4 x 20 DIN7984	4
12	107345	OR - Kinetic ³ FLT 280	1
13	8312	Screw M4 x 16 DIN7991	19
14	107360	OR - FLT 140	1
15	102711	LED Strip	1

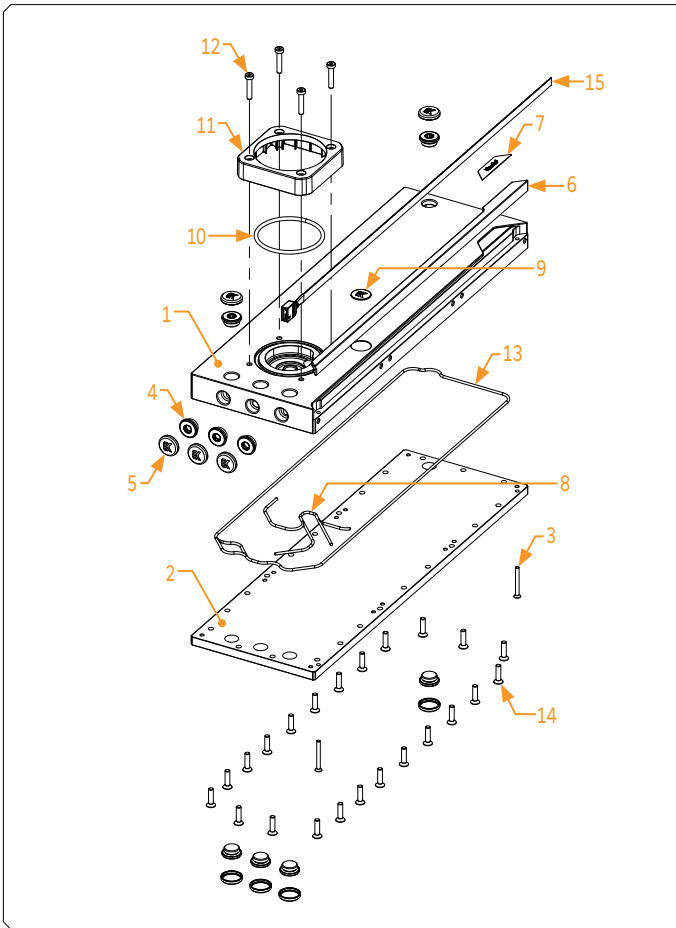


360 VERSION

Technical Specification:

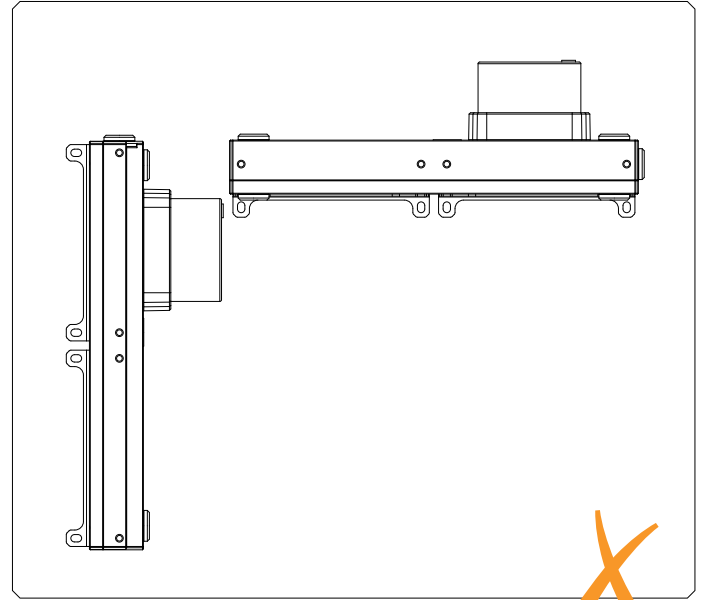
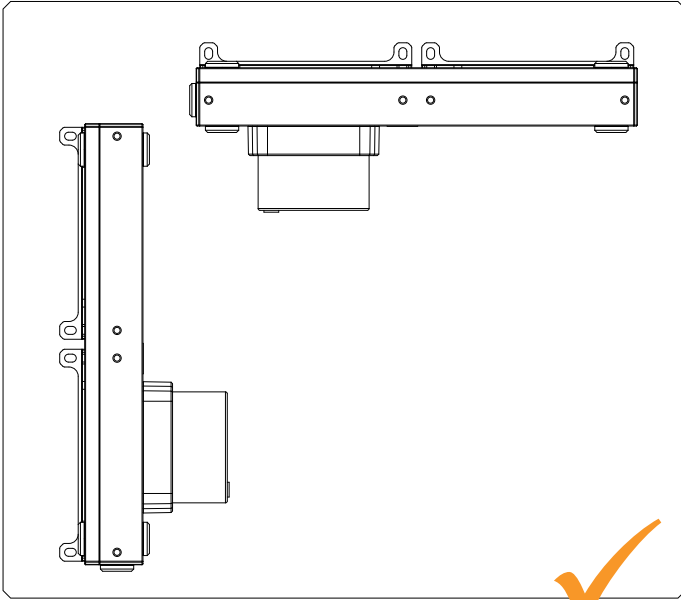
- Dimensions: (L x H x W) – 120 x 358.5 x 47.5 mm
- D-RGB cable length: 500 mm
- D-RGB LED count: 14
- D-RGB connector standard 3-pin (+5V, Data, Blocked, Ground)

Position	EAN	Description	Quantity
1	107332	TOP Plexi - Block FLT 360	1
2	107338	TOP Plexi - Lid FLT 360	1
3	9040	Screw M3 x 28 DIN7991	2
4	102639	EK-Plug G1/4	9
5	3831109834282	Plug Cover	9
6	107324	LED Cover	1
7	107339	Mylar Label	1
8	107347	OR FLT 120	1
9	100663	EK Badge	1
10	5154	OR 52 x 3	1
11	105913	Pump holder	1
12	8311	Screw M4 x 20 DIN7984	4
13	107346	OR - Kinetic ³ FLT 360	1
14	8312	Screw M4 x 16 DIN7991	23
15	102711	LED Strip	1

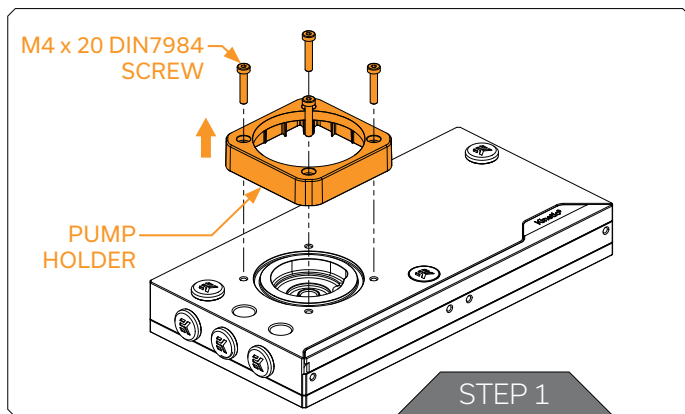


FLT Reservoir can be mounted in multiple directions.
Vertical and horizontal positions are optional.

Do not mount FLT Reservoir when the pump is in dead position.



D5 PUMP VERSION



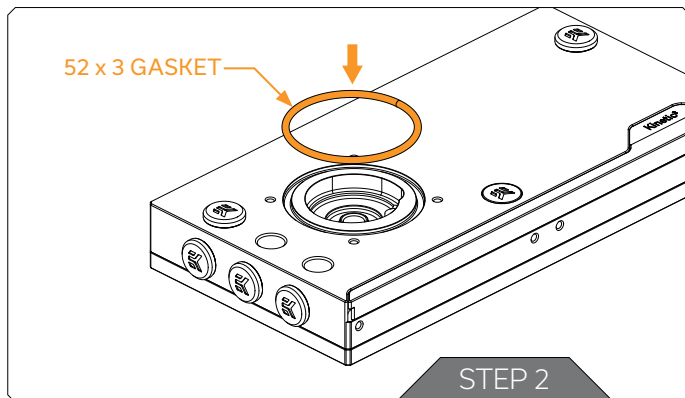
ATTACHING THE D5 PUMP ON TO THE RESERVOIR

STEP 1:

Remove the preinstalled Pump Holder using 2.5 mm Allen Key. Store the screws and pump holder for later use.

For this step you will need:

Allen Key 2.5mm

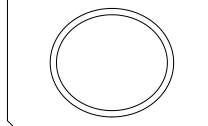


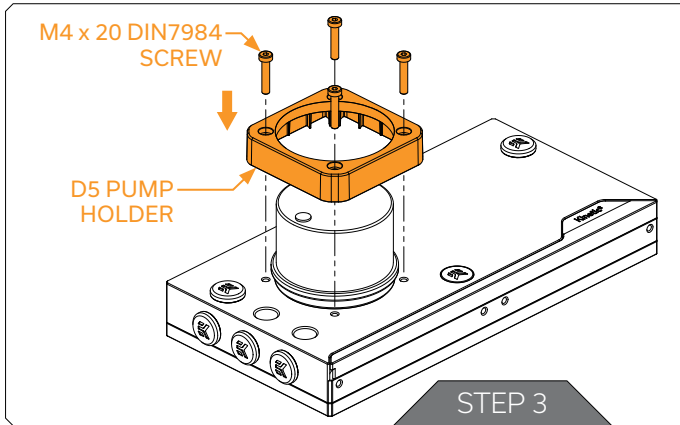
STEP 2:

Make sure that the gasket (o- ring) is placed into the groove.

For this step, you will need:

D5 OR 52 x 3 (1 pc)

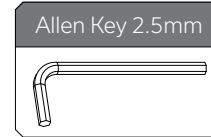




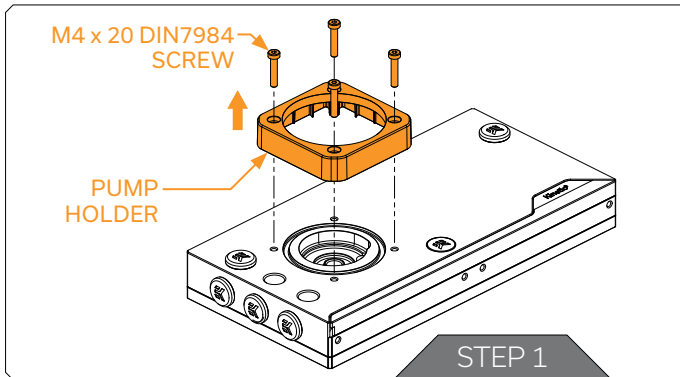
STEP 3

Carefully attach the D5 Pump and Pump Holder(as shown in the photo). After that, secure all the parts together with M4 x 20 DIN 7984 Screws. Tighten the screws using the enclosed 2.5 mm Allen Key.

For this step you will need:



DDC PUMP VERSION

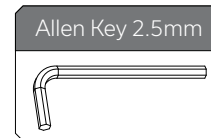


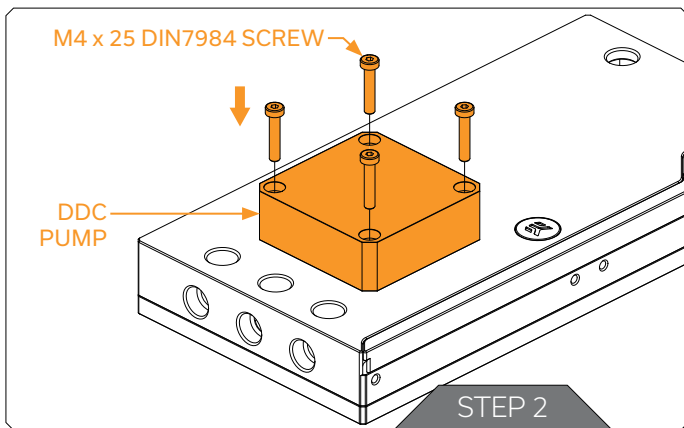
ATTACHING THE DDC PUMP ON TO THE RESERVOIR

STEP 1

Remove the preinstalled Pump Holder and screws using 2.5 mm Allen Key. Store the pump holder for later use.

For this step you will need:

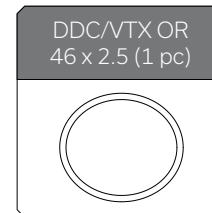
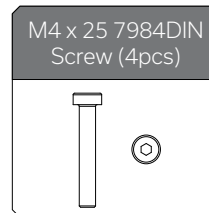
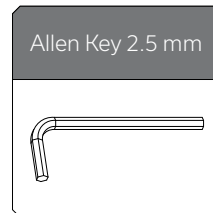




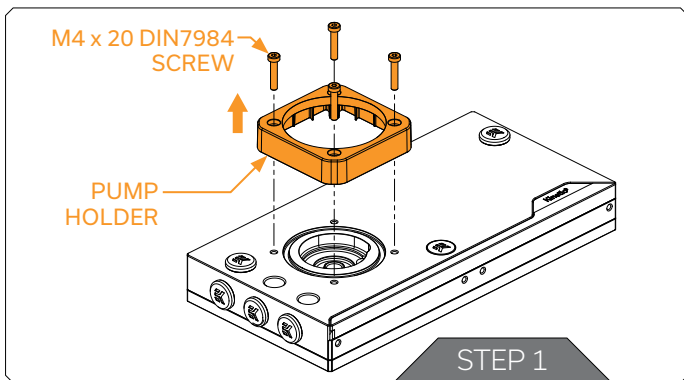
STEP 2

Carefully attach the DDC pump and make sure that gasket (46 x 2.5) is placed correctly. Sealing gasket is included in additional bag. Secure the pump with four (4) M4 x 25 7984DIN screws. Tighten the screws using enclosed 2.5 mm Allen Key.

For this step, you will need:



VTX PUMP VERSION

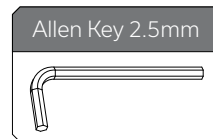


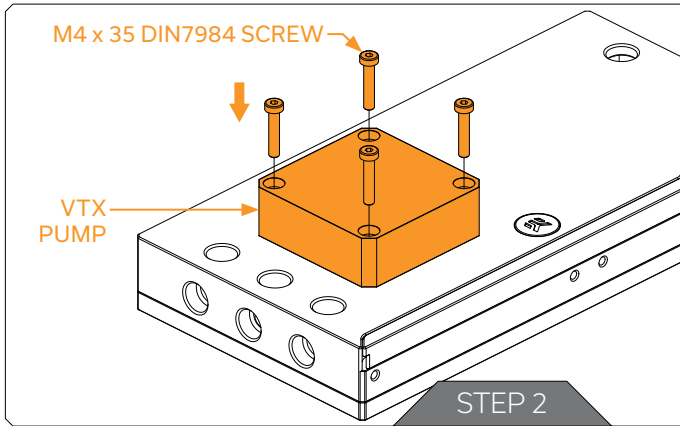
ATTACHING THE VTX PUMP ON TO THE RESERVOIR

STEP 1

Remove the preinstalled Pump Holder and screws using 2.5 mm Allen Key. Store the pump holder.

For this step you will need:

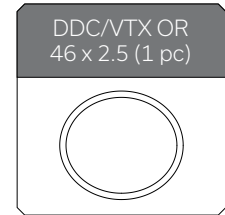
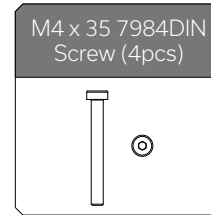
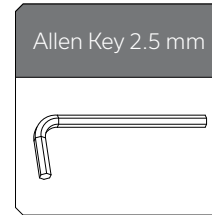




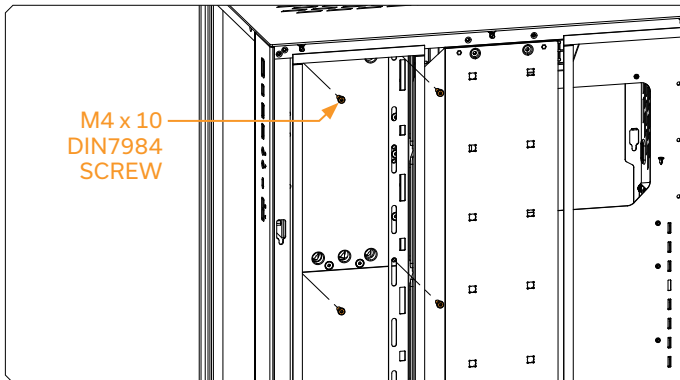
STEP 2

Carefully attach the VTX pump and make sure that the gasket (46 x 2.5) is placed correctly. A sealing gasket is included in the additional bag. Secure the pump using the four M4 x 35 7984DIN screws provided with the VTX pump. Tighten the screws using the enclosed 2.5 mm Allen Key.

For this step, you will need:

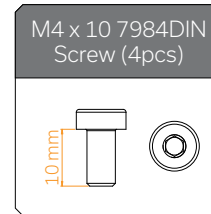
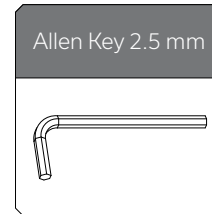


INSTALLING EK-QUANTUM KINETIC³ FLT DIRECTLY TO THE CHASSIS

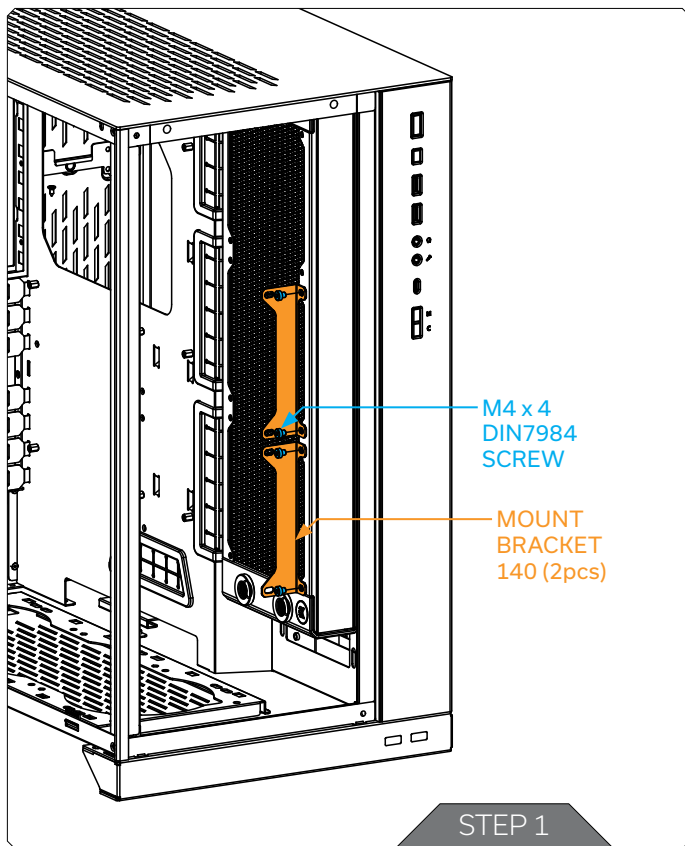


Using the included M4 screws you can mount the reservoir directly to your chassis or any other standard fan mounting location.

For this step, you will need:



INSTALLING EK-QUANTUM KINETIC³ FLT WITH SUPPLIED MOUNTS



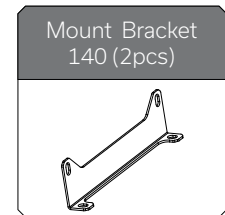
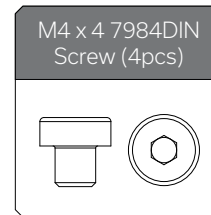
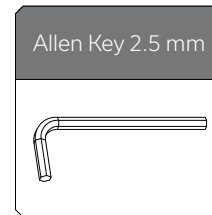
EK provides a Kinetic³ Side Mount Bracket along with M4 nuts, washers and screws to allow the installation of the reservoir onto fans, radiators or PC cases. The bracket can be positioned across any pair of mounting holes in various orientations.

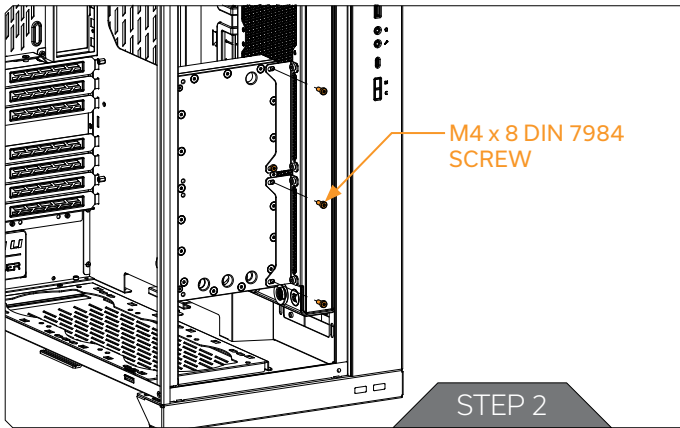
Example of EK-Quantum Kinetic³ FLT 240 mounted on the radiator:

STEP 1

Screw the bracket on the radiator using supplied four (4)M4x4 DIN7984 screws using 2.5 mm allen key.

For this step, you will need:



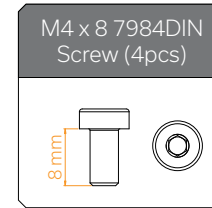
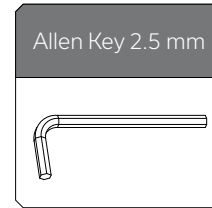


STEP 2

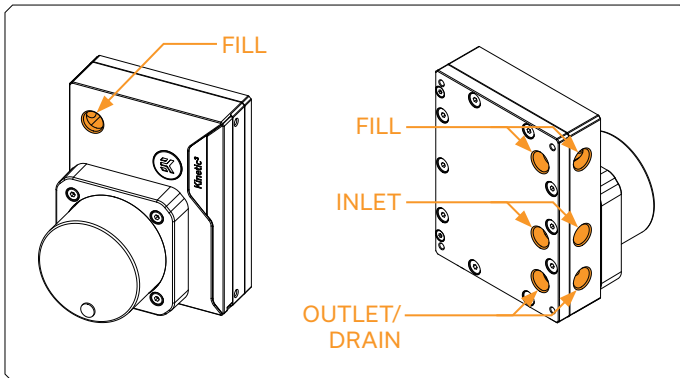
To secure the reservoir, use four (4) M4x8 DIN7984 screws using 2.5 mm allen key.

In this configuration, the ports on the reservoir are aligned with the ports on the radiator.

For this step, you will need:



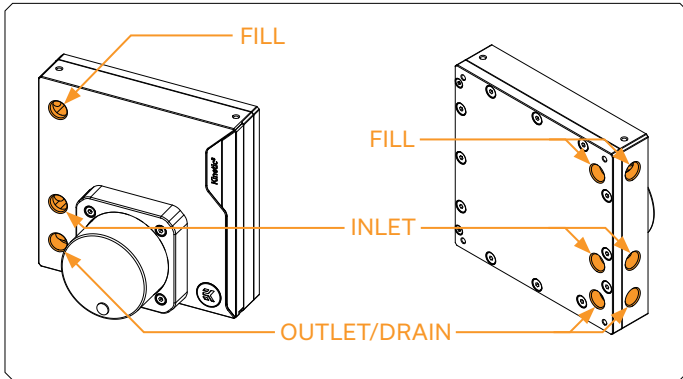
ATTACHING THE FITTINGS



92 Version

EK-Quantum Kinetic³ FLT 92 has two inlet and two outlet ports, one of each must be used!

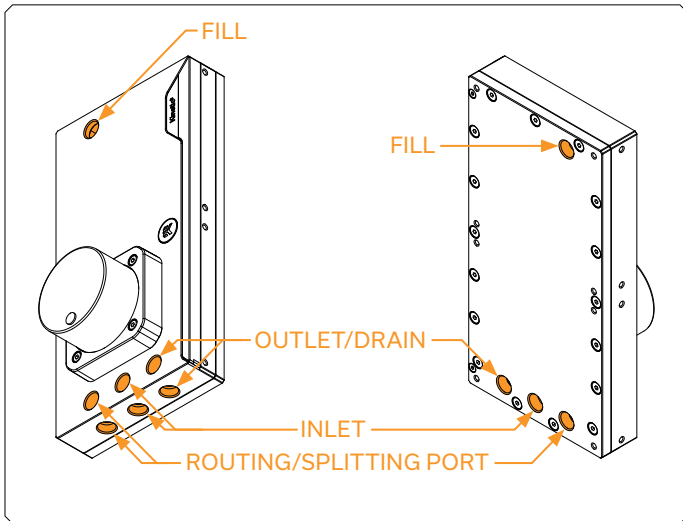
All unused ports should be blocked using G1/4 plugs.



120/140 Version

EK-Quantum Kinetic³ FLT 120/140 has three inlet and three outlet ports, one of each must be used!

All unused ports should be blocked using G1/4 plugs.

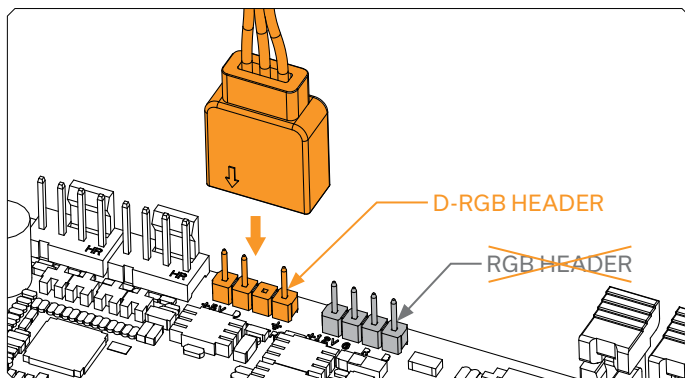


240/280/360 Version

EK-Quantum Kinetic³ FLT 240/280/360 has three inlet and three outlet ports, one of each must be used!

All unused ports should be blocked using G1/4 plugs.

CONNECTING THE D-RGB LED STRIP

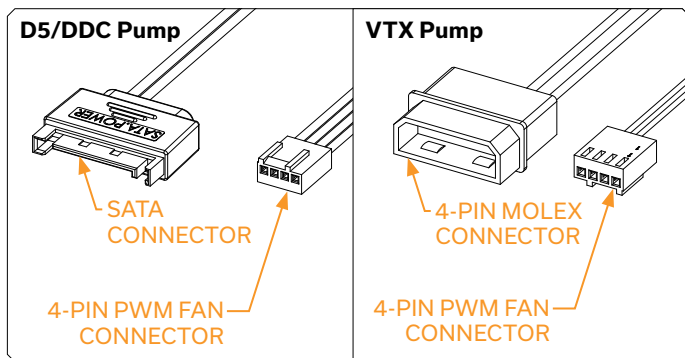


Plug the 3-pin connector from the water block's D-RGB LED light in the D-RGB HEADER on the motherboard. The LED will work if the pin layout on the header is as follows: +5V, Digital.



Please ensure that the arrow indicated on the connector is plugged into the +5V line as indicated on your motherboard. Failure to do so will damage your motherboard or LED strip.

CONNECTING THE PUMP



The Pump has two connectors:

- 1. SATA Connector or 4-Pin Molex(VTX):** It must be connected directly to your PSU at all times as it is used to power the pump.
- 2. 4-pin PWM fan:** It can be connected to your motherboard's CPU_ Fan or designated water pump header. It can also be connected to a controller. This cable is used to control and report the rotational speed of the pump. If it's not connected, the pump will run at maximum speed (100% PWM).

TESTING THE LOOP

To make sure the installation of EK components was successful, we recommend you perform a leak test for 24 hours.

When your loop is complete and filled with coolant, connect the pump to a PSU outside of your system. Do not connect power to any of the other components. Turn on the PSU and let the pump run continuously. It is normal for the coolant level to drop during this process as air collects in the reservoir.

Inspect all parts of the loop, and in the eventuality that coolant leaks, fix the issue and repeat the testing process. Ensure that all hardware is dry before the system is powered on in order to prevent any damage.

SUPPORT AND SERVICE

In case you need assistance or wish to order spare parts or a new mounting mechanism, please contact:


<https://www.ekwb.com/customer-support/>


For spare parts orders, refer to the page with "TECHNICAL SPECIFICATIONS AND PRODUCT PARTS" where you can find the EAN number of each part you might need.

Include the EAN number with quantity in your request. Mounting Mechanism EAN can be found under "BOX CONTENTS"

Thermal pads are readily available in the EK shop

SOCIAL MEDIA

 EKWaterBlocks

 @EKWaterBlocks

 ekwaterblocks

 EKWBofficial

 ekwaterblocks

