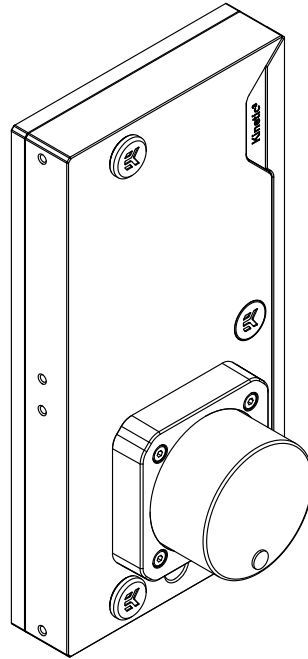


EK-Quantum Kinetic³ FLT D5 PWM D-RGB



Before you start using this product please follow these basic guidelines:

Please carefully read the manual before beginning with the installation process!

The EK fittings require only a small amount of force to screw them firmly in place since the liquid seal is ensured by the rubber o-ring gaskets.

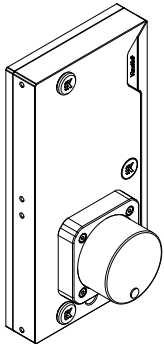
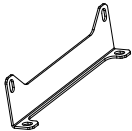
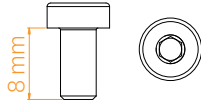

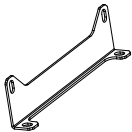
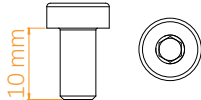
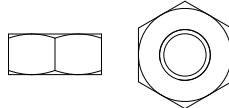
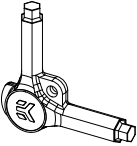

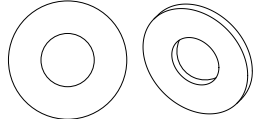
The use of corrosion inhibiting coolants is always recommended for any liquid cooling system. EKWB recommends any of the EK-Cryofuel for worry-free usage.

There are many ways to install your EK-Quantum Kinetic³ FLT Body as it utilizes a standard fan mounting hole pattern with 15 mm spacing, the same as all EK radiators. The mounting holes have standard M4 threads with maximum engagement of 10 mm. Use of longer screws or screws with incorrect threads such as those intended for fans or radiators may damage your product!

TABLE OF CONTENT

| | |
|--|-----------|
| BOX CONTENTS | 4 |
| RESERVOIR DIMENSIONS | 5 |
| TECHNICAL SPECIFICATIONS AND PRODUCT PARTS | 7 |
| 92 VERSION | 7 |
| 120 VERSION | 8 |
| 140 VERSION | 9 |
| 240 VERSION | 10 |
| 280 VERSION | 11 |
| 360 VERSION | 12 |
| INSTALLING EK-QUANTUM KINETIC³ FLT DIRECTLY TO THE CHASSIS | 14 |
| INSTALLING EK-QUANTUM KINETIC³ FLT WITH SUPPLIED MOUNTS | 15 |
| ATTACHING THE FITTINGS | 16 |
| CONNECTING THE D-RGB LED STRIP | 18 |
| CONNECTING THE PUMP | 18 |
| TESTING THE LOOP | 19 |
| SUPPORT AND SERVICE | 20 |
| SOCIAL MEDIA | 20 |

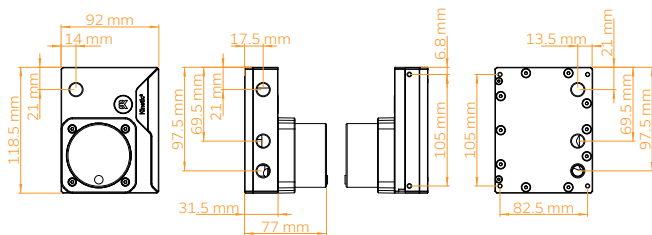
BOX CONTENTS

| | | | | |
|---|--|--|---|--|
|  <p>EK-Quantum Kinetic³ FLT 92/120/140/240/280/360 Body</p> |  <p>L-Side Mount Bracket 120 (92 Version: 1 pc), (120/240/360 Version: 2 pcs)</p> |  <p>M4 x 8 DIN7984 Screw (4 pcs) (92 Version 2 pcs)</p> |  <p>M4 x 4 7984 DIN Screw (4 pcs) (92 Version 2 pcs)</p> | |
| |  <p>L-Side Mount Bracket 140 (140/280 Version: 2 pcs)</p> |  <p>M4 x 10 DIN7984 Screw (4 pcs) (92 Version 2 pcs)</p> |  <p>M4 Nut (4 pcs) (92 Version 2 pcs)</p> | |
| |  <p>EK-Loop Multi Allen Key (1 pc)</p> |  <p>Allen Key 2.5 mm (1 pc)</p> |  <p>PVC Washer M4 (4 pcs) (92 Version 2 pcs)</p> | |

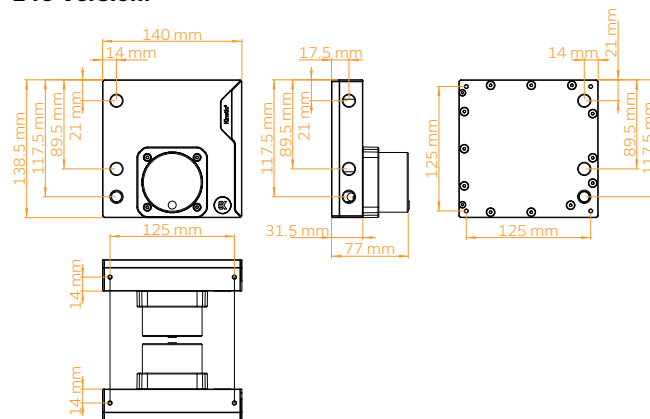
Mounting Mechanism EAN:
 107604 Mounting Mechanism FLT - Single 120: 92 Version
 107606 Mounting Mechanism FLT - Double 120: 120/240/360 Version
 107607 Mounting Mechanism FLT - Double 140: 140/280 Version

RESERVOIR DIMENSIONS

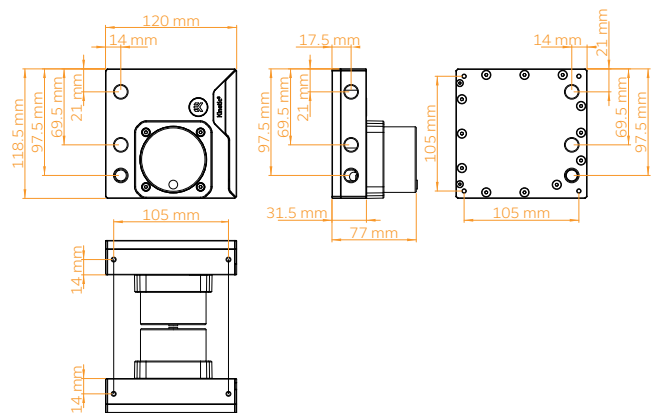
92 Version:



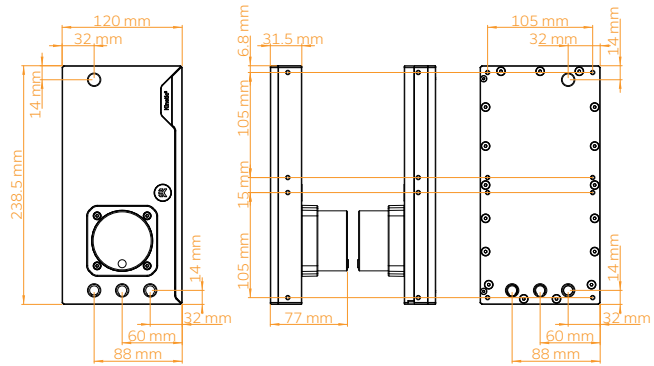
140 Version:



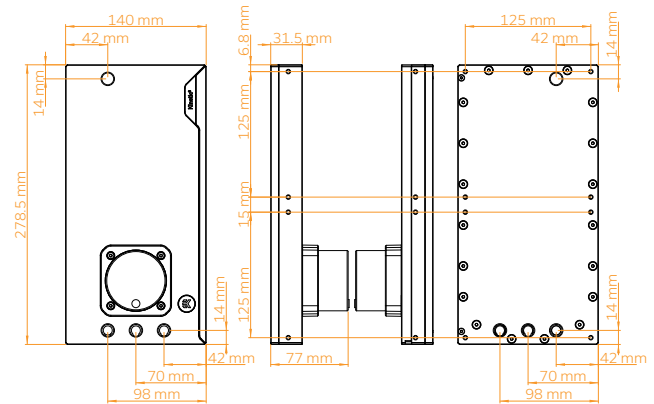
120 Version:



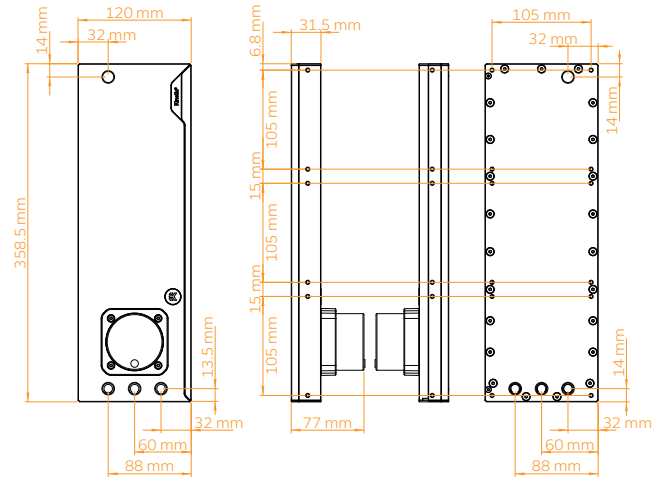
240 Version:



280 Version:



360 Version:



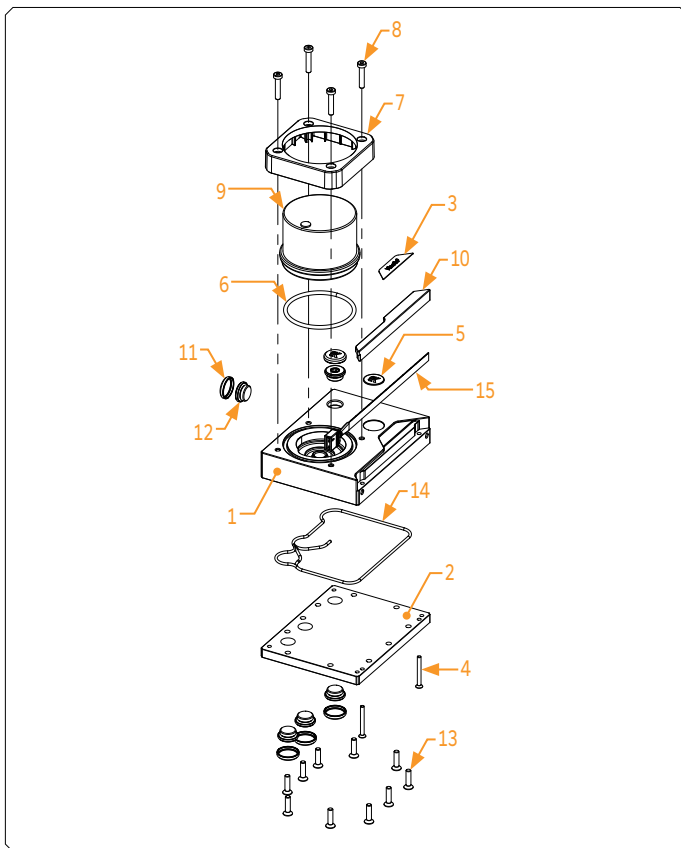
TECHNICAL SPECIFICATIONS AND PRODUCT PARTS

92 VERSION

Technical Specification:

- Dimensions: (L x H x W) - 92 x 118.5 x 77 mm
- D-RGB cable length: 500 mm
- D-RGB LED count: 14
- D-RGB connector standard 3-pin (+5V, Data, Blocked, Ground)

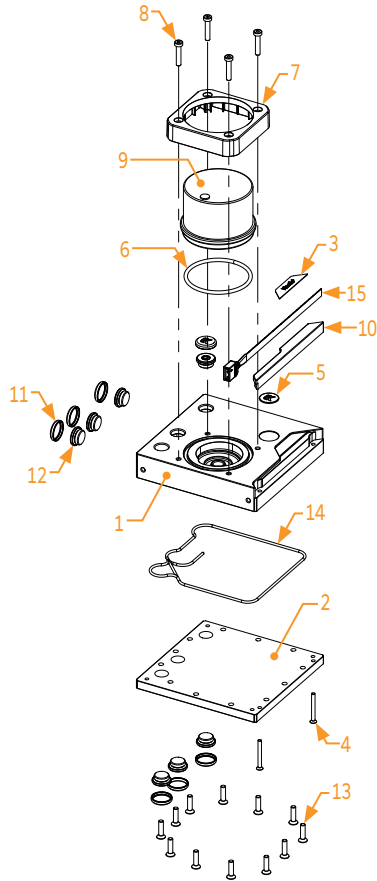
| Position | EAN | Description | Quantity |
|----------|---------------|--------------------------|----------|
| 1 | 107327 | TOP Plexi - Block FLT 92 | 1 |
| 2 | 107333 | TOP Plexi - Lid FLT 92 | 1 |
| 3 | 107339 | Mylar Label | 1 |
| 4 | 9040 | Screw M3 x 28 DIN7991 | 2 |
| 5 | 100663 | EK Badge | 1 |
| 6 | 5154 | OR 52 x 3 | 1 |
| 7 | 105913 | Pump holder | 1 |
| 8 | 8311 | Screw M4 x 20 DIN7984 | 4 |
| 9 | 3831109837597 | Pump EK-D5 PWM | 1 |
| 10 | 107313 | Pump holder | 1 |
| 11 | 3831109834282 | Plug Cover | 5 |
| 12 | 102639 | EK-Plug G1/4 | 5 |
| 13 | 8312 | Screw M4 x 16 DIN7991 | 10 |
| 14 | 107341 | OR - FLT 92 | 1 |
| 15 | 103155 | LED Strip | 1 |



120 VERSION

Technical Specification:

- Dimensions: (L x H x W) – 120 x 118.5 x 77 mm
- D-RGB cable length: 500 mm
- D-RGB LED count: 14
- D-RGB connector standard 3-pin (+5V, Data, Blocked, Ground)

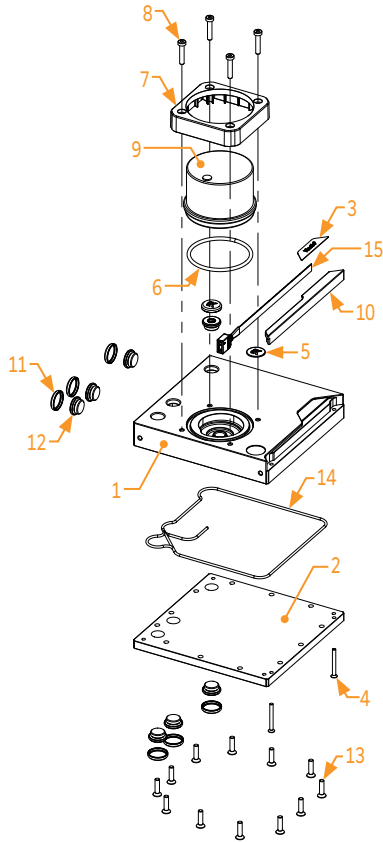


| Position | EAN | Description | Quantity |
|----------|---------------|---------------------------|----------|
| 1 | 107328 | TOP Plexi - Block FLT 120 | 1 |
| 2 | 107334 | TOP Plexi - Lid FLT 120 | 1 |
| 3 | 107339 | Mylar Label | 1 |
| 4 | 9040 | Screw M3 x 28 DIN7991 | 2 |
| 5 | 100663 | EK Badge | 1 |
| 6 | 5154 | OR 52 x 3 | 1 |
| 7 | 105913 | Pump holder | 1 |
| 8 | 8311 | Screw M4 x 20 DIN7984 | 4 |
| 9 | 3831109837597 | Pump EK-D5 PWM | 1 |
| 10 | 107313 | Pump holder | 1 |
| 11 | 3831109834282 | Plug Cover | 7 |
| 12 | 102639 | EK-Plug G1/4 | 7 |
| 13 | 8312 | Screw M4 x 16 DIN7991 | 12 |
| 14 | 107342 | OR - FLT 120 | 1 |
| 15 | 103155 | LED Strip | 1 |

140 VERSION

Technical Specification:

- Dimensions: (L x H x W) – 140 x 238.5 x 77 mm
- D-RGB cable length: 500 mm
- D-RGB LED count: 14
- D-RGB connector standard 3-pin (+5V, Data, Blocked, Ground)



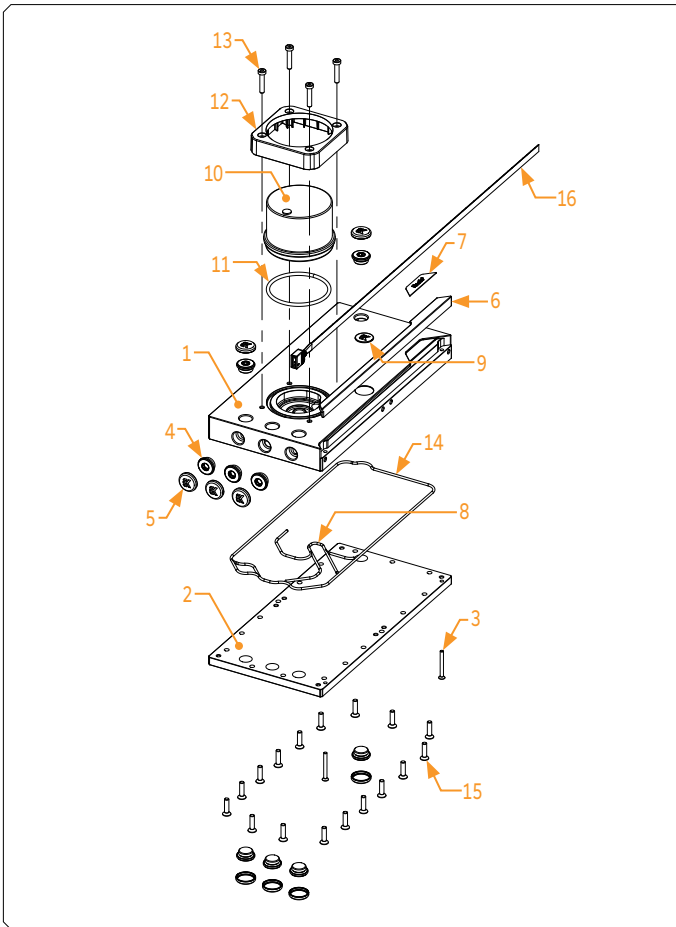
| Position | EAN | Description | Quantity |
|----------|---------------|---------------------------|----------|
| 1 | 107329 | TOP Plexi - Block FLT 140 | 1 |
| 2 | 107335 | TOP Plexi - Lid FLT 140 | 1 |
| 3 | 107339 | Mylar Label | 1 |
| 4 | 9040 | Screw M3 x 28 DIN7991 | 2 |
| 5 | 100663 | EK Badge | 1 |
| 6 | 5154 | OR 52 x 3 | 1 |
| 7 | 105913 | Pump holder | 1 |
| 8 | 8311 | Screw M4 x 20 DIN7984 | 4 |
| 9 | 3831109837597 | Pump EK-D5 PWM | 1 |
| 10 | 107314 | Pump holder | 1 |
| 11 | 3831109834282 | Plug Cover | 7 |
| 12 | 102639 | EK-Plug G1/4 | 7 |
| 13 | 8312 | Screw M4 x 16 DIN7991 | 12 |
| 14 | 107343 | OR - FLT 140 | 1 |
| 15 | 103155 | LED Strip | 1 |

240 VERSION

Technical Specification:

- Dimensions: (L x H x W) – 120 x 238.5 x 77 mm
- D-RGB cable length: 500 mm
- D-RGB LED count: 14
- D-RGB connector standard 3-pin (+5V, Data, Blocked, Ground)

| Position | EAN | Description | Quantity |
|----------|---------------|-----------------------------------|----------|
| 1 | 107330 | TOP Plexi - Block FLT 240 | 1 |
| 2 | 107336 | TOP Plexi - Lid FLT 240 | 1 |
| 3 | 9040 | Screw M3 x 28 DIN7991 | 2 |
| 4 | 102639 | EK-Plug G1/4 | 9 |
| 5 | 3831109834282 | Plug Cover | 9 |
| 6 | 107318 | LED Cover | 1 |
| 7 | 107339 | Mylar Label | 1 |
| 8 | 107347 | OR - FLT 120 | 1 |
| 9 | 100663 | EK Badge | 1 |
| 10 | 3831109837597 | Pump EK-D5 PWM | 1 |
| 11 | 5154 | OR 52 x 3 | 1 |
| 12 | 105913 | Pump holder | 1 |
| 13 | 8311 | Screw M4 x 20 DIN7984 | 4 |
| 14 | 107344 | OR - Kinetic ³ FLT 240 | 1 |
| 15 | 8312 | Screw M4 x 16 DIN7991 | 17 |
| 16 | 102711 | LED Strip | 1 |

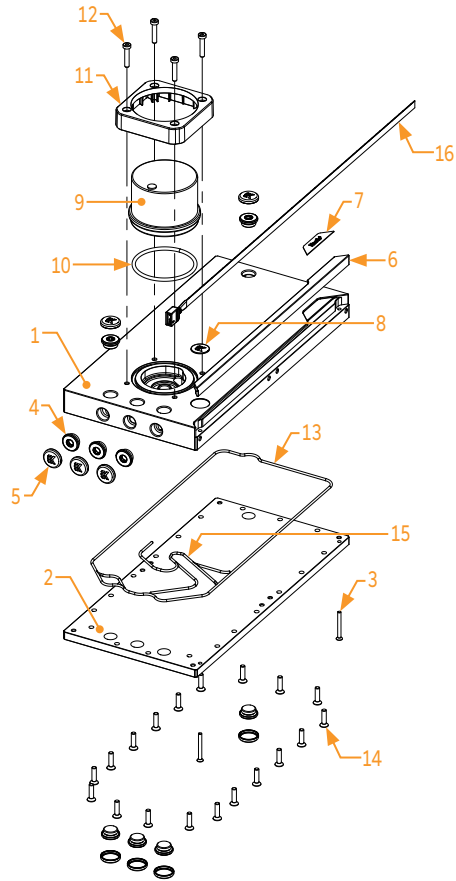


280 VERSION

Technical Specification:

- Dimensions: (L x H x W) – 120 x 278.5 x 77 mm
- D-RGB cable length: 500 mm
- D-RGB LED count: 14
- D-RGB connector standard 3-pin (+5V, Data, Blocked, Ground)

| Position | EAN | Description | Quantity |
|----------|---------------|-----------------------------------|----------|
| 1 | 107331 | TOP Plexi - Block FLT 280 | 1 |
| 2 | 107337 | TOP Plexi - Lid FLT 280 | 1 |
| 3 | 9040 | Screw M3 x 28 DIN7991 | 2 |
| 4 | 102639 | EK-Plug G1/4 | 9 |
| 5 | 3831109834282 | Plug Cover | 9 |
| 6 | 107321 | LED Cover | 1 |
| 7 | 107339 | Mylar Label | 1 |
| 8 | 100663 | EK Badge | 1 |
| 9 | 3831109837597 | Pump EK-D5 PWM | 1 |
| 10 | 5154 | OR 52 x 3 | 1 |
| 11 | 105913 | Pump holder | 1 |
| 12 | 8311 | Screw M4 x 20 DIN7984 | 4 |
| 13 | 107345 | OR - Kinetic ³ FLT 280 | 1 |
| 14 | 8312 | Screw M4 x 16 DIN7991 | 19 |
| 15 | 107360 | OR - FLT 140 | 1 |
| 16 | 102711 | LED Strip | 1 |

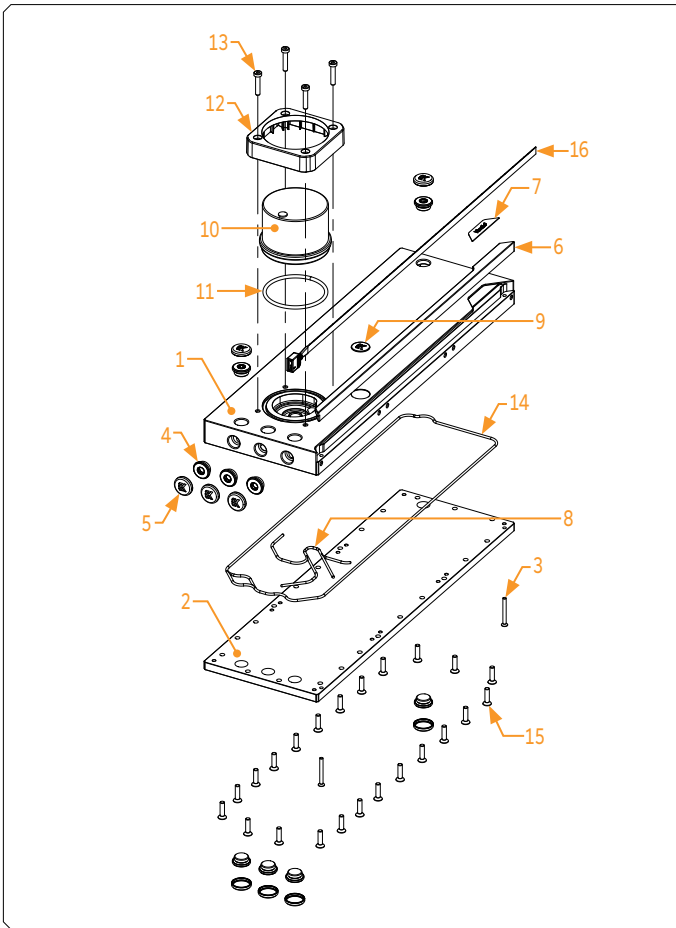


360 VERSION

Technical Specification:

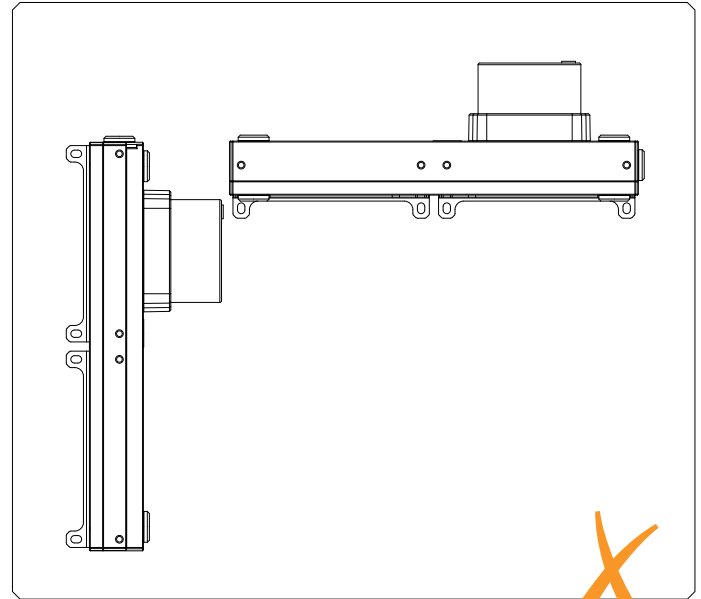
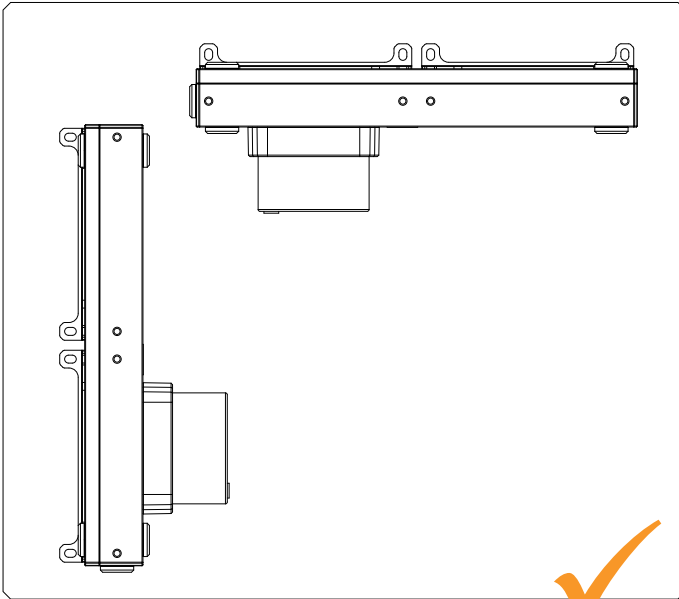
- Dimensions: (L x H x W) – 120 x 358.5 x 77 mm
- D-RGB cable length: 500 mm
- D-RGB LED count: 14
- D-RGB connector standard 3-pin (+5V, Data, Blocked, Ground)

| Position | EAN | Description | Quantity |
|----------|---------------|-----------------------------------|----------|
| 1 | 107332 | TOP Plexi - Block FLT 360 | 1 |
| 2 | 107338 | TOP Plexi - Lid FLT 360 | 1 |
| 3 | 9040 | Screw M3 x 28 DIN7991 | 2 |
| 4 | 102639 | EK-Plug G1/4 | 9 |
| 5 | 3831109834282 | Plug Cover | 9 |
| 6 | 107324 | LED Cover | 1 |
| 7 | 107339 | Mylar Label | 1 |
| 8 | 107347 | OR FLT 120 | 1 |
| 9 | 100663 | EK Badge | 1 |
| 10 | 3831109837597 | Pump EK-D5 PWM | 1 |
| 11 | 5154 | OR 52 x 3 | 1 |
| 12 | 105913 | Pump holder | 1 |
| 13 | 8311 | Screw M4 x 20 DIN7984 | 4 |
| 14 | 107346 | OR - Kinetic ³ FLT 360 | 1 |
| 15 | 8312 | Screw M4 x 16 DIN7991 | 23 |
| 16 | 102711 | LED Strip | 1 |

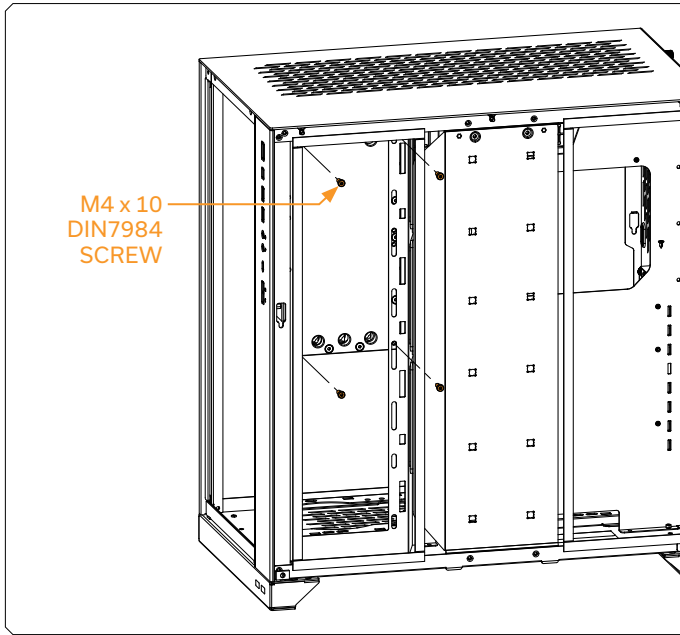


FLT Reservoir can be mounted in multiple directions.
Vertical and horizontal positions are optional.

Do not mount FLT Reservoir when the pump is in dead position.



INSTALLING EK-QUANTUM KINETIC³ FLT DIRECTLY TO THE CHASSIS



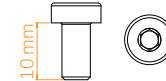
Using the included M4 screws you can mount the reservoir directly to your chassis or any other standard fan mounting location.

For this step, you will need:

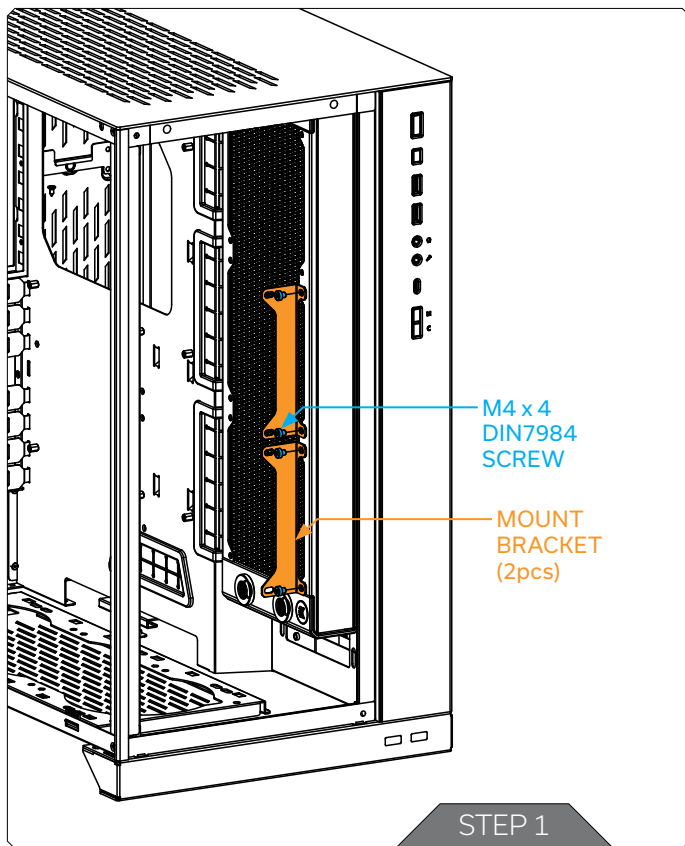
Allen Key 2.5 mm



M4 x 10 7984DIN
Screw (4pcs)



INSTALLING EK-QUANTUM KINETIC³ FLT WITH SUPPLIED MOUNTS



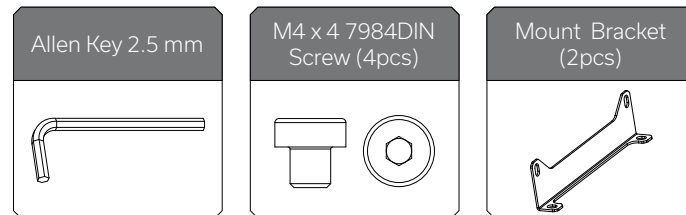
EK provides a Kinetic³ Side Mount Bracket along with M4 nuts, washers and screws to allow the installation of the reservoir onto fans, radiators or PC cases. The bracket can be positioned across any pair of mounting holes in various orientations.

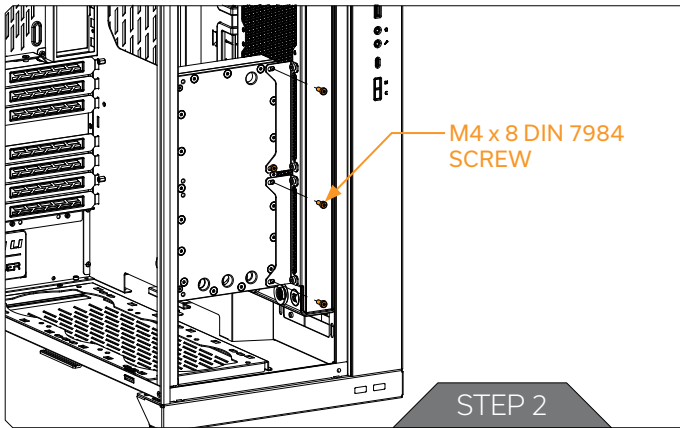
Example of EK-Quantum Kinetic³ FLT 240 mounted on the radiator:

STEP 1

Screw the bracket on the radiator using supplied four (4)M4x4 DIN7984 screws using 2.5 mm allen key.

For this step, you will need:



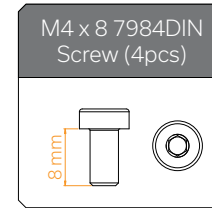
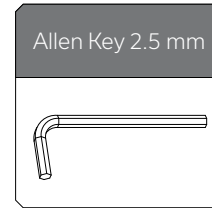


STEP 2

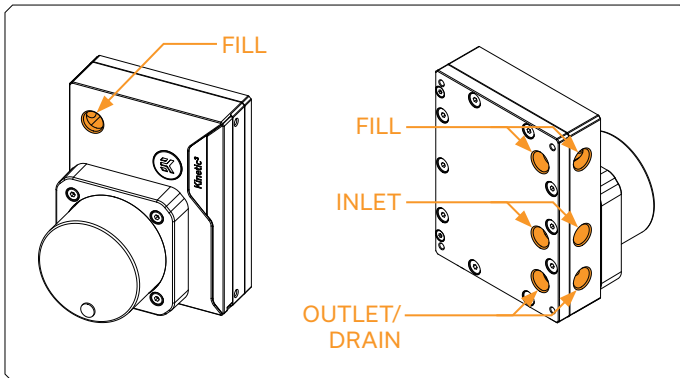
To secure the reservoir, use four (4) M4x8 DIN7984 screws using 2.5 mm allen key.

In this configuration, the ports on the reservoir are aligned with the ports on the radiator.

For this step, you will need:



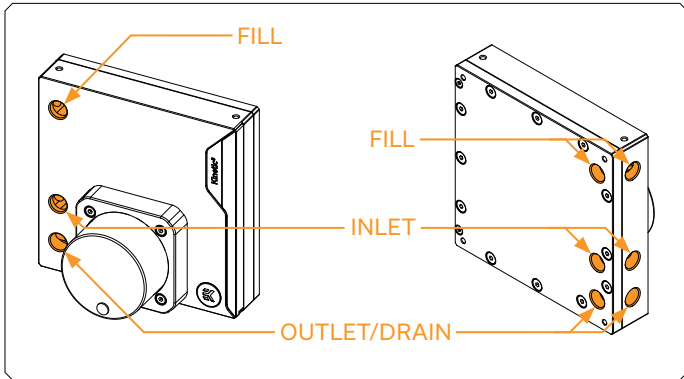
ATTACHING THE FITTINGS



92 Version

EK-Quantum Kinetic³ FLT 92 has two inlet and two outlet ports, one of each must be used!

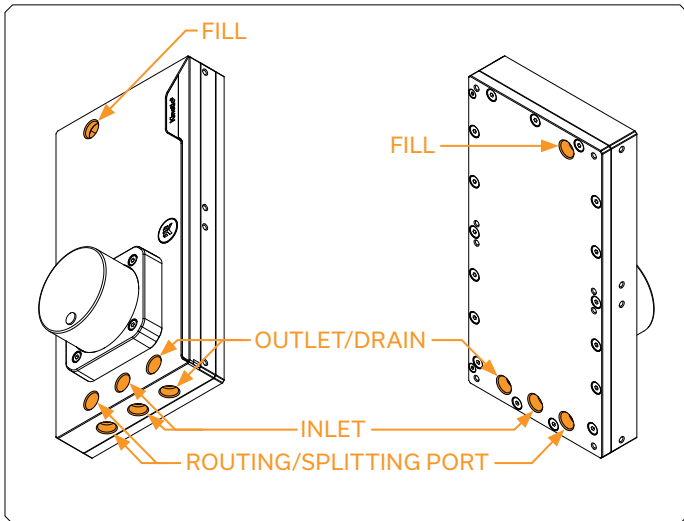
All unused ports should be blocked using G1/4 plugs.



120/140 Version

EK-Quantum Kinetic³ FLT 120/140 has three inlet and three outlet ports, one of each must be used!

All unused ports should be blocked using G1/4 plugs.

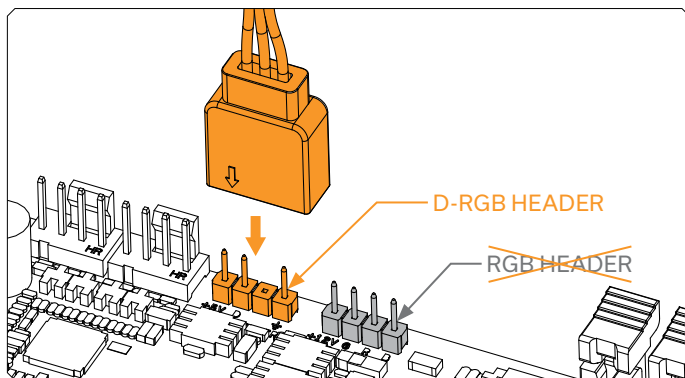


240/280/360 Version

EK-Quantum Kinetic³ FLT 240/280/360 has three inlet and three outlet ports, one of each must be used!

All unused ports should be blocked using G1/4 plugs.

CONNECTING THE D-RGB LED STRIP

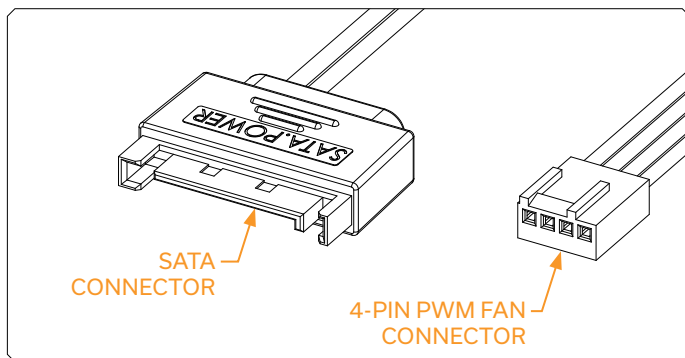


Plug the 3-pin connector from the water block's D-RGB LED light in the D-RGB HEADER on the motherboard. The LED will work if the pin layout on the header is as follows: +5V, Digital.



Please ensure that the arrow indicated on the connector is plugged into the +5V line as indicated on your motherboard. Failure to do so will damage your motherboard or LED strip.

CONNECTING THE PUMP



The EK-D5 Pump has two connectors:

- 1. SATA Connector:** It must be connected directly to your PSU at all times as it is used to power the pump.
- 2. 4-pin PWM fan:** It can be connected to your motherboard's CPU_Fan or designated water pump header. It can also be connected to a controller. This cable is used to control and report the rotational speed of the pump. If it's not connected, the pump will run at maximum speed (100% PWM).

TESTING THE LOOP

To make sure the installation of EK components was successful, we recommend you perform a leak test for 24 hours.

When your loop is complete and filled with coolant, connect the pump to a PSU outside of your system. Do not connect power to any of the other components. Turn on the PSU and let the pump run continuously. It is normal for the coolant level to drop during this process as air collects in the reservoir.

Inspect all parts of the loop, and in the eventuality that coolant leaks, fix the issue and repeat the testing process. Ensure that all hardware is dry before the system is powered on in order to prevent any damage.

SUPPORT AND SERVICE

In case you need assistance or wish to order spare parts or a new mounting mechanism, please contact:


<https://www.ekwb.com/customer-support/>


For spare parts orders, refer to the page with "TECHNICAL SPECIFICATIONS AND PRODUCT PARTS" where you can find the EAN number of each part you might need.

Include the EAN number with quantity in your request. Mounting Mechanism EAN can be found under "BOX CONTENTS"

Thermal pads are readily available in the EK shop

SOCIAL MEDIA

 EKWaterBlocks

 @EKWaterBlocks

 ekwaterblocks

 EKWBofficial

 ekwaterblocks

